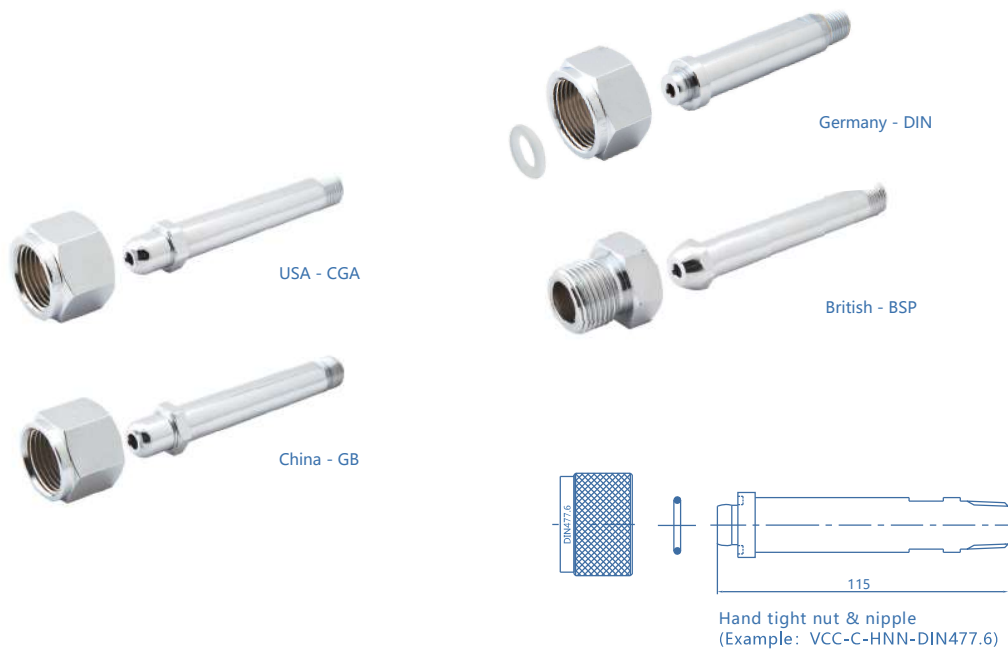


Product Features

- Cylinder Connections
- Connect to a cylinder valve
- 1/4"NPT male / 6mm tube fitting / 6mm OD tube connection
- Maximum working pressure 200 bar standard
- All connection are supplied with sealing washer



Ordering Information

