

# Pressure Control Panels

## VSP-2E Series

### Product Features

- Pressure control panel
- VSR-1E / VSR-6E Series single-stage regulator
- Brass chrome plated body for inert, reactive, flammable and oxidizing gas and mixtures up to grade 6.0
- Stainless steel 316L body for corrosive gases
- Modular design
- Diaphragm type shut-off valves
- Suitable for inlet pressure up to 300 bar
- Easy installation into safety cabinet for gas cylinders
- Tested for use with oxygen



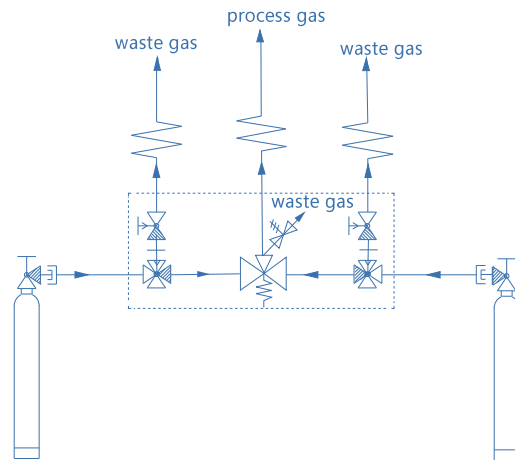
### Typical Applications

- Component Testing
- Calibration Systems
- Laboratory Pressure Control
- High Pressure Sampling Systems
- Service & Test Equipment

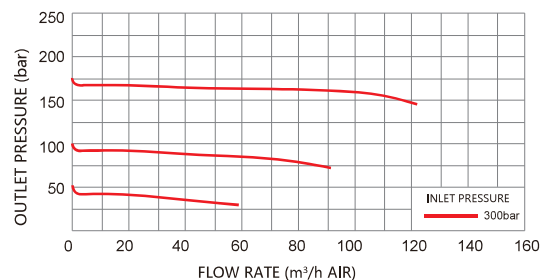
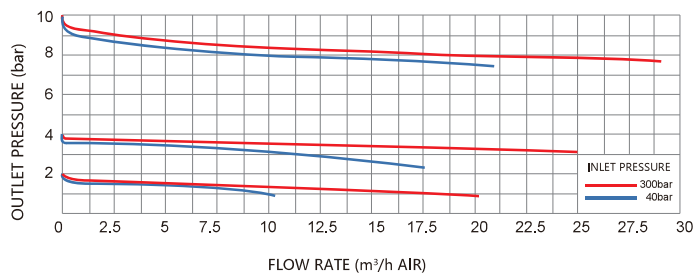
### Technical Data

Type:	single-stage
Inlet pressure P1:	max. 300 bar
Outlet pressure P2:	2/4/10/20/50/100/200 bar
Materials	
Body regulator:	see ordering info
Valve seat (regulator):	PCTFE
(shut-off valve):	PCTFE
Diaphragm (regulator):	Hastelloy®C276
(valve):	Elgiloy®
O-ring:	Viton® (FKM)
(option)	Kalrez® (FFKM)
Filter:	SS 316L
Inlet connection:	1/4"NPT(F)
Outlet connection:	1/4"NPT(F)
Temperature range:	-30°C to +74°C
Leak rate (to atmosphere):	1x10 <sup>-8</sup> mbar l/s He
(via seat):	1x10 <sup>-6</sup> mbar l/s He
Weight:	4.5kg

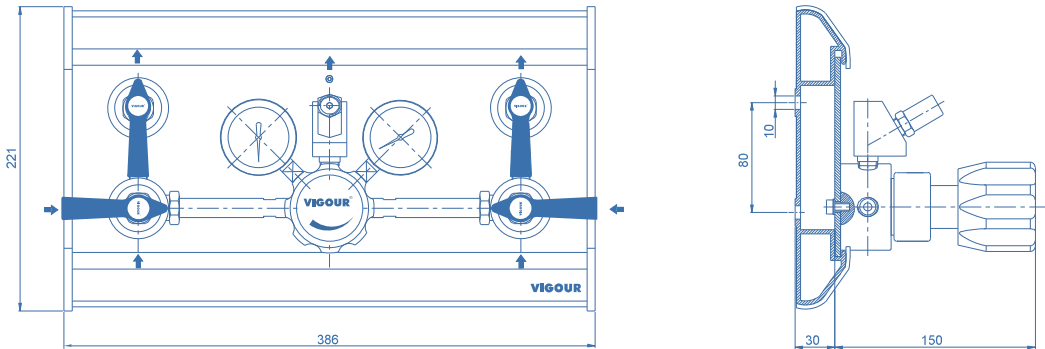
### Schematic Drawing



### Flow Chart



### Dimensions (mm)



### Ordering Information

**VSP - 2E S - 300 - 10 - P - P - V - N<sub>2</sub>**

<p><b>Body Material</b></p> <p>S: 316L</p> <p>C: Chrome Plated Brass</p>	<p><b>Inlet Pressure P<sub>1</sub></b></p> <p>40: 40 bar</p> <p>100: 100 bar</p> <p>200: 200 bar</p> <p>300: 300 bar</p>	<p><b>Outlet Pressure P<sub>2</sub></b></p> <p>2: to 2 bar</p> <p>4: to 4 bar</p> <p>10: to 10 bar</p> <p>20: to 20 bar</p> <p>50: to 50 bar (Non Relief valve)</p> <p>100: to 100 bar (Non Relief valve)</p> <p>200: to 200 bar (Non Relief valve)</p>	<p><b>Type Of Gas</b></p> <p>Please specify type of gas</p>	<p><b>Option</b></p> <p>Blank: Includes inlet valve and purge valve</p> <p>V: Including inlet valve, not including purge valve</p>	<p><b>Outlet Pressure Indication</b></p> <p>P: Pressure gauge</p> <p>K: Contact gauge</p>	<p><b>Inlet Pressure Indication</b></p> <p>P: Pressure gauge</p> <p>K: Contact gauge</p>
--	--	---	---	--	---	--