

# Gas Stick Assemblies

## VSR-1ET Series

### Product Features

- Wall-mounting tapping points
- VSR-1EL series single-stage regulator
- Brass chrome plated body and bonnet for inert, reactive, flammable and oxidizing gas and mixtures up to grade 6.0
- Stainless steel 316L body and bonnet for corrosive gases
- Modular design
- Diaphragm type shut-off valves
- Suitable for inlet pressure up to 100 bar
- Tested for use with oxygen

### Typical Applications

- Component Testing
- Calibration Systems
- Laboratory Pressure Control
- High Pressure Sampling Systems
- Service & Test Equipment



"A" type

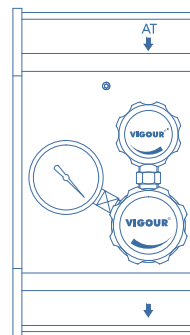


"B" type

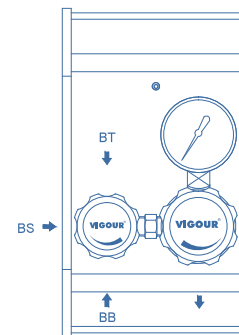
### Technical Data

Type:	single-stage
Inlet pressure P1:	max. 100 bar
Outlet pressure P2:	2/4/10/20/50 bar
Materials	
Body regulator and valves:	see ordering info
Valve seat (regulator):	PCTFE
(shut-off valve):	PEEK
Diaphragm (regulator):	Hastelloy® C276
(valve):	Hastelloy® C276
Filter:	SS 316L
Temperature range:	-30°C to +74°C
Leak rate (to atmosphere):	1x10 <sup>-8</sup> mbar l/s He
(via seat):	1x10 <sup>-6</sup> mbar l/s He
Flow capacity:	Cv=0.07
Weight:	2.5kg

### Schematic Drawing

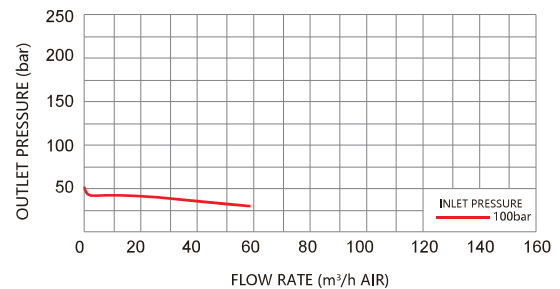
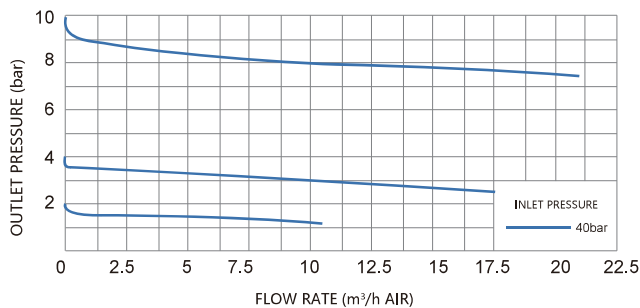


"A" type:  
AT: Top-inlet

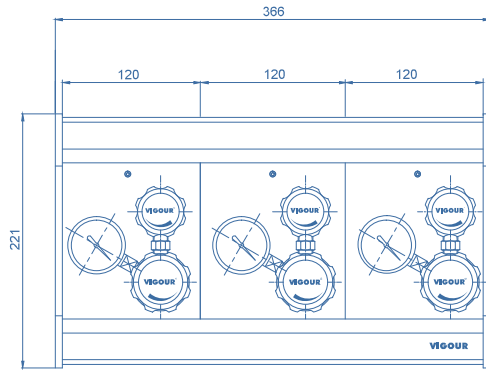


"B" type:  
BT: Top-inlet  
BB: Bottom-inlet  
BS: side-inlet

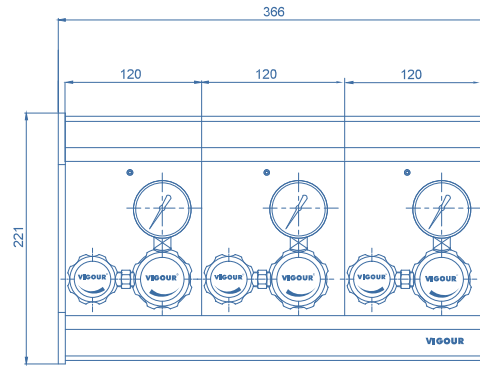
### Flow Chart



### Dimensions (mm)



"A" type



"B" type

### Ordering Information

**VSR - 1ETS - 100 - 10 - AT - N<sub>2</sub>**

**Body Material**

S: 316L

C: Chrome Plated Brass

**Inlet Pressure P<sub>1</sub>**

40: 40 bar

100: 100 bar

**Outlet Pressure P<sub>2</sub>**

2: to 2 bar

4: to 4 bar

10: to 10 bar

20: to 20 bar

50: to 50 bar

**Type Of Gas**

Please specify type of gas

**Inlet Type**

AT: "A" type Top-inlet

BT: "B" type Top-inlet

BB: "B" type Bottom-inlet

BS: "B" type Side-inlet