

Multi-port Valve Block

A6 Series
M - bodies

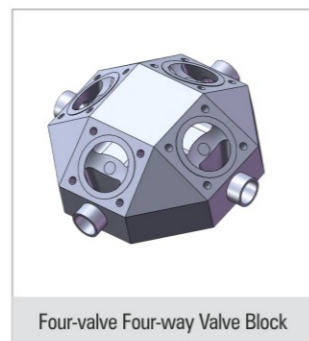
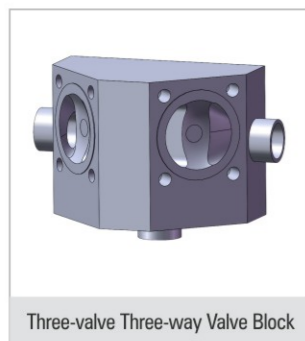
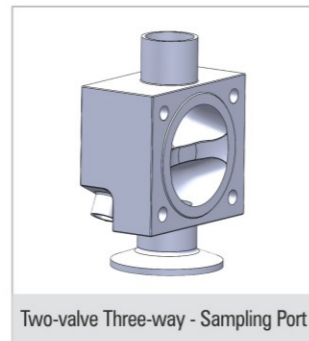
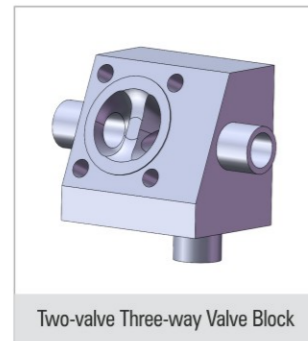
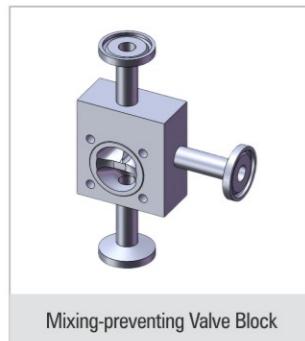


Overview

For this series, based on the actual needs on site, ESG conducts the design after fully understanding the detailed working conditions of customers, such as their usage processes, installation positions and the flow relationships among various valves. During the design process, the cleaning, sterilization, emptying performance, dead corners and residues of the valves are taken into consideration. ESG designers present the optimal and most reasonable designs to customers.

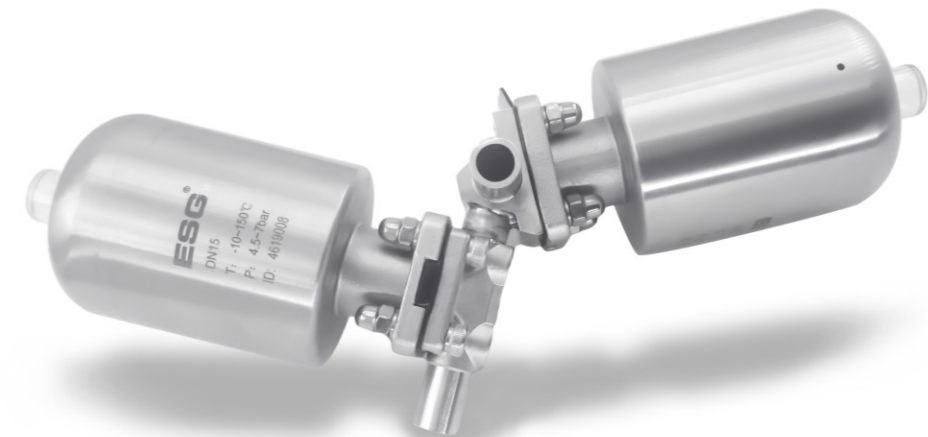
Advantages

1. Customized design according to requirements.
2. CNC machining of integral steel.
3. Compact structure.
4. No dead corners and automatic emptying.
5. Convenient installation.
6. Shorten the commissioning time.
7. Improve the safety of production.
8. Free choice between manual and pneumatic actuators.



Combination Valve

A50 series
Combination
Diaphragm Valve



Overview

In order to better balance the material costs and processing costs, on the premise of meeting the customer's process requirements such as cleaning, sterilization, and self-discharging, ESG has carried out specific arrangements and layouts for the valves, thus obtaining the most reasonable solutions for customers to use. The GMP combination valve combines two two-way diaphragm valves or combines one two-way diaphragm valve and a tri-clamp chuck by means of welding. According to the application situation in the industry, ESG has launched 10 GMP combination modes for customers to choose from. For working conditions with higher requirements for the effects of cleaning, sterilization, self-discharging, etc., customers often need two two-way diaphragm valves to not only meet the requirements of self-discharging or full-discharging but also minimize the dead corners at the connection points as much as possible. To this end, ESG has launched 8 SAP combination modes and 4 SAP two-way valves with a third outlet interface for customers to choose from. The valve body material of the combination valve can be freely combined according to the needs of customers, and the combination form can also be specially customized according to the customer's process requirements.

