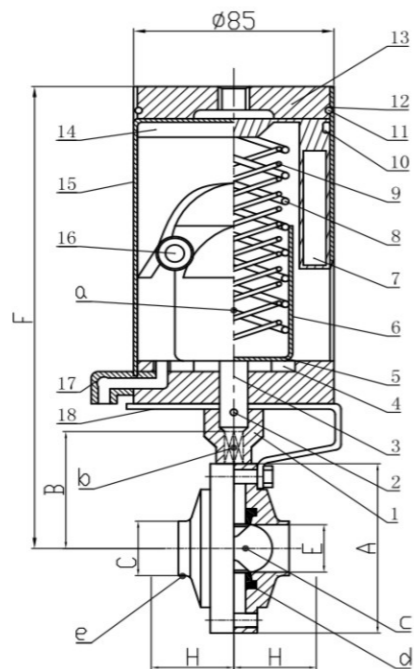


Butterfly Valve

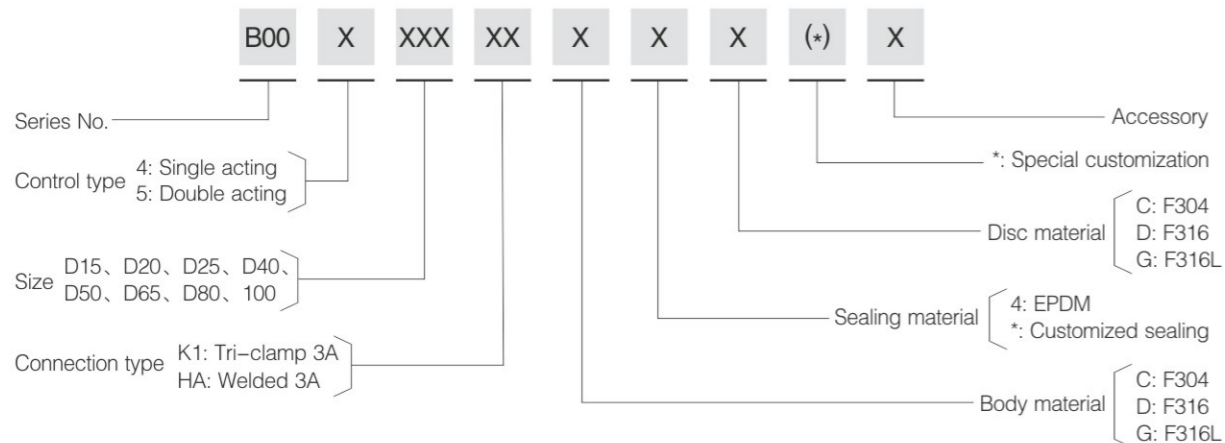
B00 Series
Vertical Pneumatic
Welded Butterfly Valve



Main Dimension (Welded Connection)

Size	A	B	C	E	H	F
1/2"	79	49.5	12.7	9.4	23	237
3/4"	79	49.5	19.1	15.8	23	237
1"	79	49.5	25.4	22.1	23.5	237
1.5"	85	52.5	38.1	34.8	23.5	240
2"	100	60	50.8	47.5	26	246
2.5"	115	67.5	63.5	60.2	27	256
3"	127	73.5	76.2	72.9	28	256
4"	156	88	101.6	97.6	30	286

Order Instruction



B10 Series
Pull Handles Tri-clamp
Manual Butterfly Valve

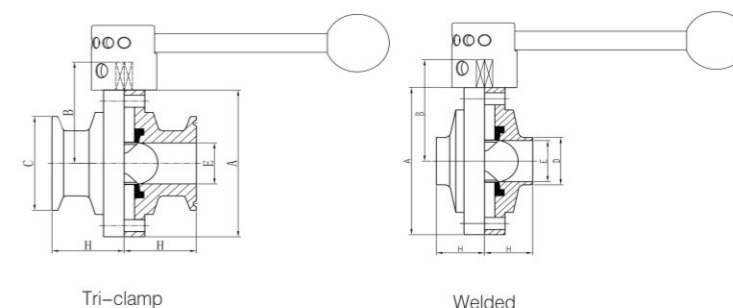


B10 Series
Pull Handles Welded
Manual Butterfly Valve



Technical Specification

- Size: 1/2"–6"
- Working pressure: 10bar (0–145psi)
- Body material: F304/F316/F316L
- Sealing material: EPDM
- Connection type: Tri-clamp 3A, welded 3A
- Internal surface: Ra0.6–0.8um
- Temperature: -20°C~+130°C
- Applications: Widely used in food, beverages, brewery, pharmaceuticals industries etc.



Main Dimension (Tri-clamp Connection)

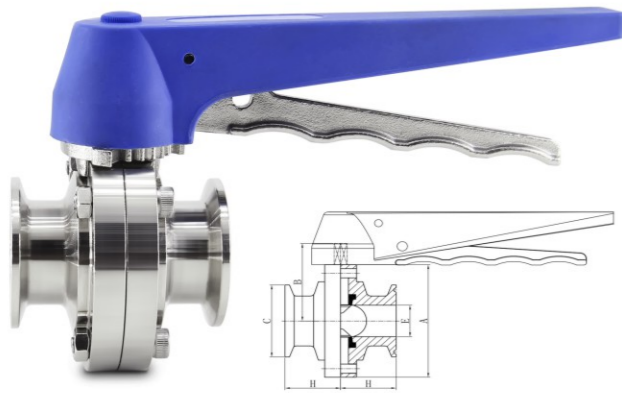
Size	A	B	C	E	H
1/2"	79	49.5	25	9.4	35
3/4"	79	49.5	25	15.8	35
1"	79	49.5	50.5	22.1	35
1.25"	79	49.5	50.5	29	35
1.5"	85	52.5	50.5	34.8	35
2"	100	60	64	47.5	37
2.5"	115	67.5	77.5	60.2	38
3"	127	73.5	91	72.9	39
3.5"	140	80	106	85	39
4"	156	88	119	97.6	45
6"	215	117.5	166.8	146.8	63

Main Dimension (Welded Connection)

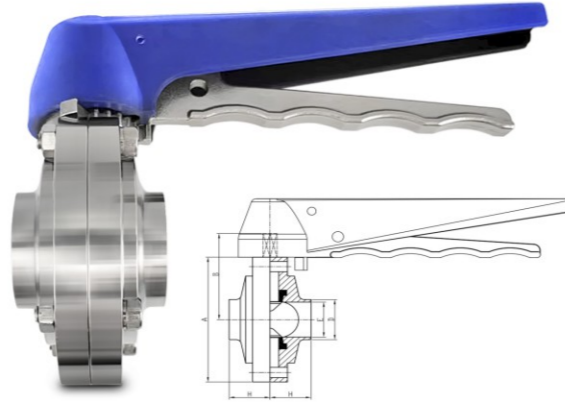
Size	A	B	D	E	H
1/2"	79	49.5	12.7	9.4	23
3/4"	79	49.5	19.1	15.8	23
1"	79	49.5	25.4	22.1	23.5
1.25"	79	49.5	31.8	28.8	23.5
1.5"	85	52.5	38.1	34.8	23.5
2"	100	60	50.8	47.5	26
2.5"	115	67.5	63.5	60.2	27
3"	127	73.5	76.2	72.9	28
3.5"	140	80	88.9	84.9	29
4"	156	88	101.6	97.6	30

Butterfly Valve

B11 Series
Multi-handles Tri-clamp
Manual Butterfly Valve



B11 Series
Multi-handles Welded
Manual Butterfly Valve



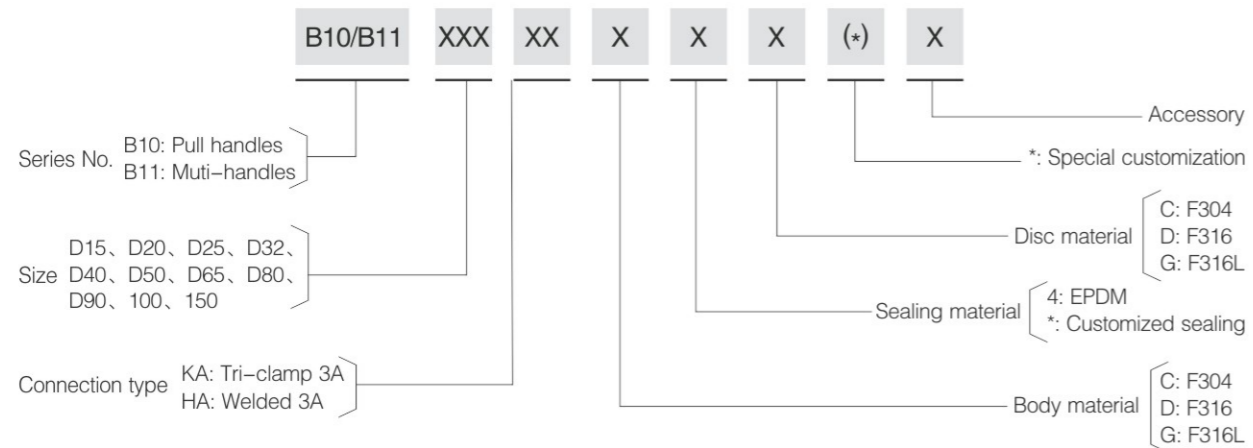
Main Dimension (Tri-clamp Connection)

Size	A	B	C	E	H
1/2"	79	49.5	25	9.4	35
3/4"	79	49.5	25	15.8	35
1"	79	49.5	50.5	22.1	35
1.25"	79	49.5	50.5	29	35
1.5"	85	52.5	50.5	34.8	35
2"	100	60	64	47.5	37
2.5"	115	67.5	77.5	60.2	38
3"	127	73.5	91	72.9	39
3.5"	140	80	106	85	39
4"	156	88	119	97.6	45

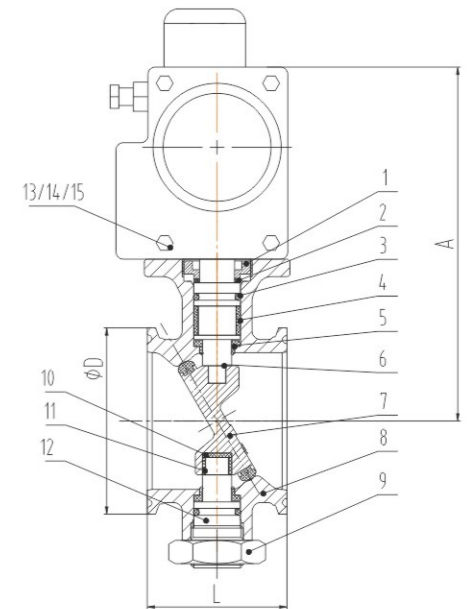
Main Dimension (Welded Connection)

Size	A	B	D	E	H
1/2"	79	49.5	12.7	9.8	23
3/4"	79	49.5	19.1	15.8	23
1"	79	49.5	25.4	22.1	23.5
1.25"	79	49.5	31.8	28.8	23.5
1.5"	85	52.5	38.1	34.8	23.5
2"	100	60	50.8	47.5	26
2.5"	115	67.5	63.5	60.2	27
3"	127	73.5	76.2	72.9	28
3.5"	140	80	88.9	84.9	29
4"	156	88	101.6	97.6	30

Order Instruction



303 Series
Inclined Plate
Butterfly Valve



Technical Specification

- Product specification: DN50
- Operating pressure: 0–10bar (0–145psi)
- Medium temperature: -10°C — +150°C
- Body material: CF8/CF8M/CF3M and other materials
- Seal material: FPM
- Connection type: Tri-clamp
- Application range: industrial grade/hygienic grade industries, media such as water/steam/powder

Advantages

- Patented inclined plate structural design. When the valve is opened, the butterfly plate is completely disengaged from the valve seat, resulting in little wear on the butterfly plate seal.
- Vulcanized sealing to prevent tearing and scraping.
- Progressive sealing structure and streamlined design of the valve body's sealing surface.
- The plate-rod is designed without a pin connection, making valve maintenance more convenient.
- The streamlined design of the valve body enables internal polishing with no residue.

Main Dimension

Size	ØD	L	Selection of double acting actuator	A Equipped with double acting actuator	Selection of single acting actuator	A Equipped with single acting actuator
DN50	Ø64	48	AT40	122	AT52	128

Order Instruction

