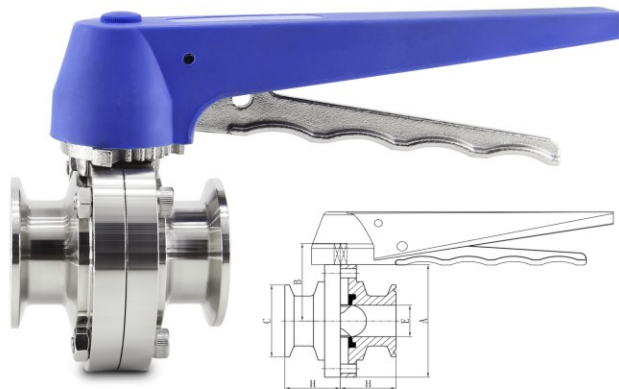
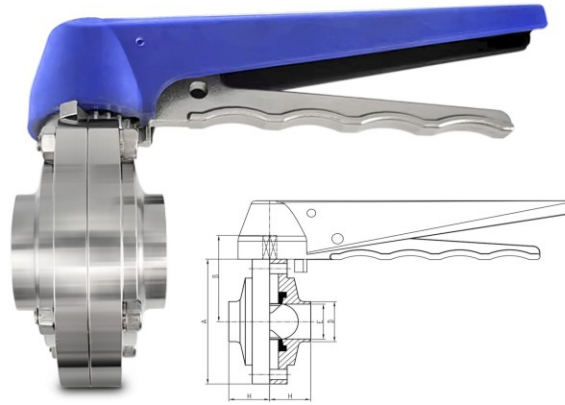


## Butterfly Valve

B11 Series  
Multi-handles Tri-clamp  
Manual Butterfly Valve



B11 Series  
Multi-handles Welded  
Manual Butterfly Valve



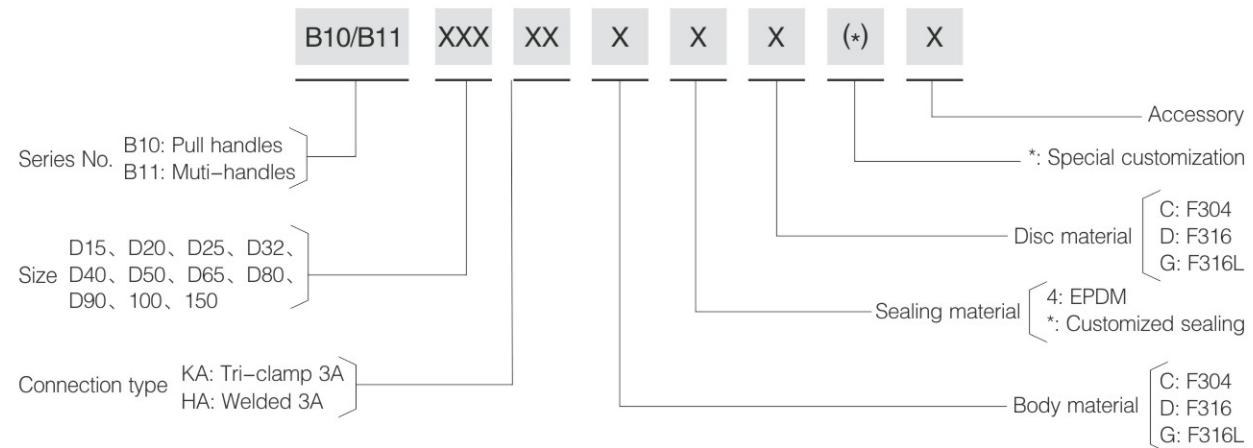
### Main Dimension (Tri-clamp Connection)

Size	A	B	C	E	H
1/2"	79	49.5	25	9.4	35
3/4"	79	49.5	25	15.8	35
1"	79	49.5	50.5	22.1	35
1.25"	79	49.5	50.5	29	35
1.5"	85	52.5	50.5	34.8	35
2"	100	60	64	47.5	37
2.5"	115	67.5	77.5	60.2	38
3"	127	73.5	91	72.9	39
3.5"	140	80	106	85	39
4"	156	88	119	97.6	45

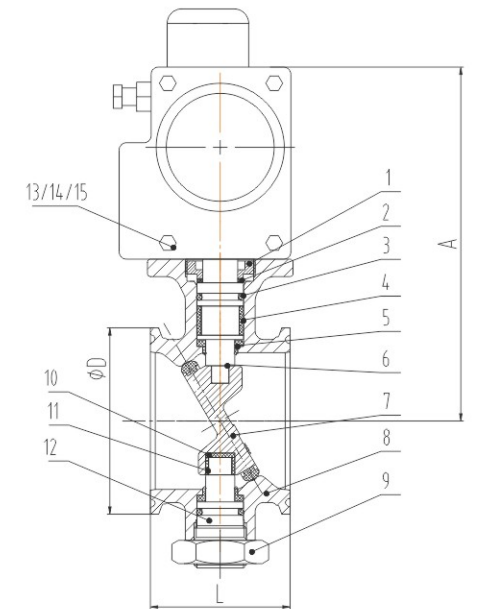
### Main Dimension (Welded Connection)

Size	A	B	D	E	H
1/2"	79	49.5	12.7	9.8	23
3/4"	79	49.5	19.1	15.8	23
1"	79	49.5	25.4	22.1	23.5
1.25"	79	49.5	31.8	28.8	23.5
1.5"	85	52.5	38.1	34.8	23.5
2"	100	60	50.8	47.5	26
2.5"	115	67.5	63.5	60.2	27
3"	127	73.5	76.2	72.9	28
3.5"	140	80	88.9	84.9	29
4"	156	88	101.6	97.6	30

### Order Instruction



303 Series  
Inclined Plate  
Butterfly Valve



### Technical Specification

- Product specification: DN50
- Operating pressure: 0–10bar (0–145psi)
- Medium temperature: -10°C — +150°C
- Body material: CF8/CF8M/CF3M and other materials
- Seal material: FPM
- Connection type: Tri-clamp
- Application range: industrial grade/hygienic grade industries, media such as water/steam/powder

### Advantages

- Patented inclined plate structural design. When the valve is opened, the butterfly plate is completely disengaged from the valve seat, resulting in little wear on the butterfly plate seal.
- Vulcanized sealing to prevent tearing and scraping.
- Progressive sealing structure and streamlined design of the valve body's sealing surface.
- The plate-rod is designed without a pin connection, making valve maintenance more convenient.
- The streamlined design of the valve body enables internal polishing with no residue.

### Main Dimension

Size	ØD	L	Selection of double acting actuator	A Equipped with double acting actuator	Selection of single acting actuator	A Equipped with single acting actuator
DN50	Ø64	48	AT40	122	AT52	128

### Order Instruction

