

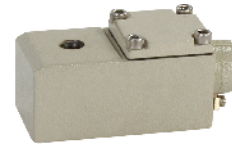
3/2 DIRECT ACTING HIGH ORIFICE UNIVERSAL SOLENOID VALVE



HORIZONTAL CABLE ENTRY
ALUMINIUM CAST ENCLOSURE
WEATHER PROOF Type 16, 19
EXPLOSION PROOF Type 58, 58LT



MULTI PIN CONNECTOR
STEEL ENCLOSURE
WEATHER PROOF Type 70



HORIZONTAL CABLE ENTRY
STAINLESS STEEL CAST ENCLOSURE
WEATHER PROOF Type 16-CO, 19-CO,
EXPLOSION PROOF Type 58-CO, 58LT-CO,
37-CO, 39-CO



DIN PLUG CONNECTOR
MOULDED ENCLOSURE
WEATHER PROOF Type 22



HORIZONTAL CABLE ENTRY
ALUMINIUM CAST ENCLOSURE
EXPLOSION PROOF Type 37, 39



DIN PLUG CONNECTOR
STEEL ENCLOSURE
WEATHER PROOF Type 25



BOTTOM CABLE ENTRY
ALUMINIUM CAST ENCLOSURE
WEATHER PROOF Type 17
EXPLOSION PROOF Type 87, 62



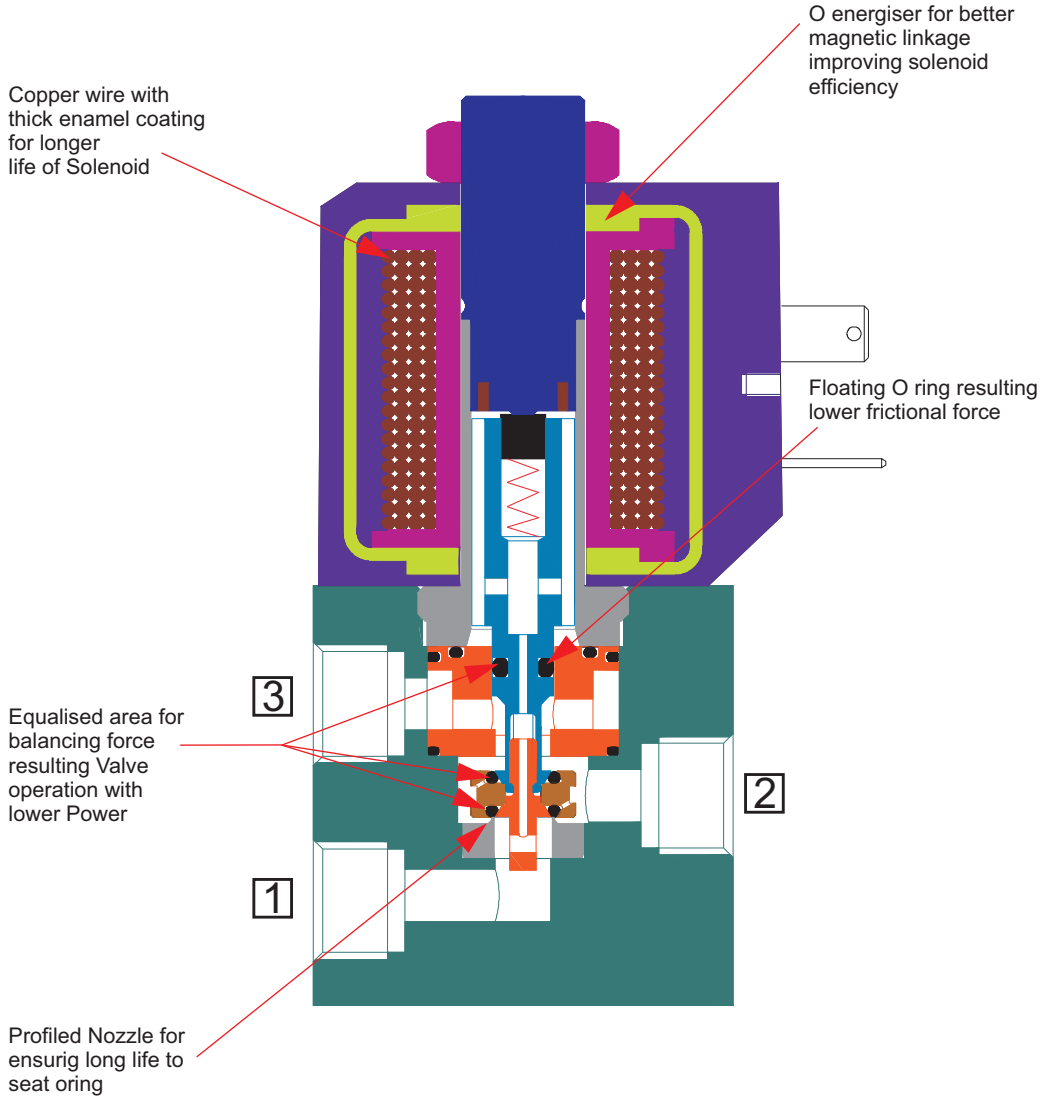
BOTTOM CABLE ENTRY
STAINLESS STEEL CAST ENCLOSURE
WEATHER PROOF Type 17-CO
EXPLOSION PROOF Type 87-CO
62-CO

**Interchangeable across
Voltage/ Current range without
affecting performance of the Valve**

3/2 DIRECT ACTING HIGH ORIFICE UNIVERSAL SOLENOID VALVE

FEATURES

- Bubble tight shut OFF
- Mounts in any position
- Suitable for Vacuum up to 10⁻⁶ torr
- Vibration resistance up to 9g
- Suitable for high speed cycling, speed up to 900 cycles/ min
- Life >20 million cycles
- Manual override can be provided optionally



WEIGHT IN kg. (Appx.)

Valve

Model - Orifice (Connection)	Al	SS
30308-5, P3005-5, P3012-5 (2G/ 2R)	0.50	0.80
30334-5, P3005-R, P3012-R, P3017V01-R, 30329-5 (2G/ 2R)	-	0.75
30333-5, P3005, P3012 (3G/ 3R/ 4G/ 4R)	-	1.20
30334-7	-	1.30
30329-7	-	1.40
30309-10, 30329-10	0.90	2.10

Solenoid

Type	Size	Type	Size	Enclosure	
				Al	SS
22	I	16, 19,	I	0.55	1.20
	II	37, 39,	II, IV	0.85	1.70
	III	58, 58LT	III	0.60	1.50
25	IV	17, 62,	II, IV	1.00	1.65
		87	III	0.90	1.50

VOLTAGE VARIATION

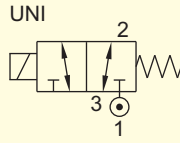
(For Continuous Duty)

Rated Voltage	Operating Voltage
6	4.8V to 7.2V
12	9.6V to 14.4V
24	19.2V to 28.8V
48	38.4V to 57.6V
110 to 120	88V to 132V
220/ 230/ 240	176V to 264V
256	205V to 280V

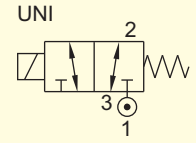
SERIES : 32D

3/2 DIRECT ACTING HIGH ORIFICE UNIVERSAL SOLENOID VALVE

TYPE	PRESSURE
30333	0 - 10 bar
30334	0 - 10 bar
P3005-R	0 - 10 bar
P3012-R	0 - 10 bar

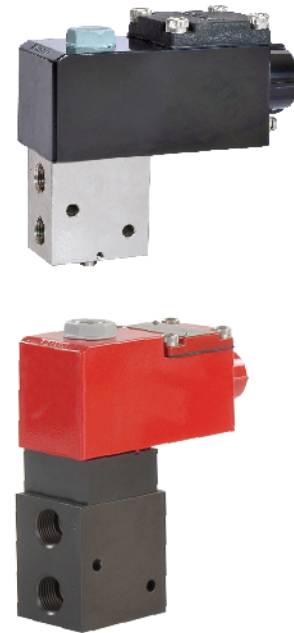


TYPE	PRESSURE
P3017V01-R	0 - 10 bar
30308	0 - 10 bar
30309	0 - 10 bar
30329	0 - 16 bar



WETTED PARTS

Code	※	B1	B2	B5	B9
Body	Anodized Aluminium	Anodized Aluminium	Brass	SS 316	SS 316L
Internals	Aluminium, Brass and SS 316	SS 316	Brass and SS 316	SS 316	SS 316L
Guide	SS 304				
Shadow-Ring	Copper/ None				
Plunger, Insert	SS 430				
Spring	SS 302				
Seat, Seals	NBR, Viton, F. Silicon				



APPLICATION

Single acting actuator/ Cylinder, Control Valve actuation.
Diverting/ Mixing of fluid, Analyzer, ESD

POWER

Type	Normal		Low			Ex ia
	15W/ 20W	6W, 8W	5W	3.5 W	1.8W	
30309, 30329						Type 62
30334, 30308 30333, 30329						
P3005-R						
P3012-R						
P3017V01-R						
P3017V01-R						
P3017V01-R						

SPARES

SPARE KIT	CODE
Seal Kit : Oring Set and Plunger Assembly	98
Repair Kit : All Components except Body, Cover and Solenoid	99
Solenoid Kit : Solenoid, Gasket and Nut	34

PORT CONNECTION

VALVE TYPE	MODE	INLET	OUTLET	EXHAUST
30334, 30308	NC	1	2	3
30309, 30329	NO	3	2	1
P3005-R, P3012-R,	Mixing	1 & 3	2	
P3017V01-R, 30333	Diverting	2	1 & 3	

Contact Rotex for
• Any other Temperature Range, Media and Application

3/2 DIRECT ACTING HIGH ORIFICE UNIVERSAL SOLENOID VALVE

SPECIFICATION

VALVE	
Valve Type	3/2 Direct Acting High Orifice Universal Solenoid Valve
Body Material	Aluminium/ Brass/ Stainless Steel 316 & 316L
Port Connections	Threaded
Orifice	5 mm, 7mm, 10mm
Seals	NBR/ VITON GLT/ F.Silicon
Manual Override	Stayput/ Momentory/ Without Manual Override
Flow factor Orifice-kv/ Kv/ Cv	5mm-8/ 0.48/ 0.56 7mm-14/ 0.84/ 0.98 10mm-30/ 1.8/ 2.1
Media	Air, Hydraulic Oil, Inert Gas, LPG, Kerosene, Lubricating Oil, Petrol (Motor Spirit), Diesel, Turbine Oil, Water, CNG
⑬ Ambient, Fluid Temperature	-25 °C to 75 °C, optionally -60 °C to 170 °C
Response ON/ OFF	≤12 ms/ ≤12 ms
Pressure	0-10 bar, 0-12 bar, 0-16 bar

SOLENOID	
Accessories	NRV Dust plug provided on Exhaust port
Voltage-Current	DC 12V, 24V, 48V, 110V, 220V, 256V AC/ DC (50Hz/ 60Hz/ DC) 24V, 110V, 230V, 240V
Power	20W/ 15W/ 8W/ 6W/ 5W/ 3.5W/ 1.8W/ 1W
Protection	Weather Proof IP67, IP68 Explosion Proof Ex d, Ex ia, Ex e mb, IIC T6/ T5/ T4 IP67
Cable Entry	Pg 9/ M20X1.5/ 1/2" NPT/ M25X1.5

ORDERING CODE Solenoid Valve (Valve Code + Solenoid Code)

VALVE TYPE	-	SIL	-	SUFFIX	-	ORIFICE	-	PORT CONNECTION	-	BODY INTERNAL	-	MANUAL OVERRIDE	-	SEAL	-	⑰ MEDIA
P3012-R		SL		SO		5		2G		B5		*		S2G		*
ACCESSORIES VALVE, PORT	+	SIZE	-	VOLTAGE, CURRENT	-	ENCLOSURE	-	⑦ ENCLOSURE MATERIAL	-	SPECIAL	-	POWER				
A3		III		24V DC		87NS		*		SS		LW 3.5				
INSULATION	-	APPROVAL	-	SIL	-	ACCESSORIES SOLENOID										
H		01		SL		B4										

ORDERING CODE Valve Spare Kit

SPARE KIT	-	VALVE TYPE	-	SIL	-	SUFFIX	-	ORIFICE	-	PORT CONNECTION	-	BODY INTERNAL	-	MANUAL OVERRIDE	
99		P3012-R		SL		SO		5		2G		B5		*	
SEAL	-	ACCESSORIES VALVE, PORT													
S2G		A3													

ORDERING CODE Spare Solenoid

SOLENOID KIT	-	SIZE	-	VOLTAGE, CURRENT	-	ENCLOSURE	-	⑦ ENCLOSURE MATERIAL	-	SPECIAL	-	POWER	
34		III		24V DC		87NS		*		SS		LW 3.5	
INSULATION	-	APPROVAL	-	SIL	-	ACCESSORIES SOLENOID							
H		01		SL		B4							

SERIES : 32D

3/2 DIRECT ACTING HIGH ORIFICE UNIVERSAL SOLENOID VALVE

VALVE TYPE-ORIFICE	
CODE	DESCRIPTION
NORMAL POWER	
30308-5	0-10 bar, 8 Watt, Size I, Size III, Aluminium, Brass, SS 316, Port 1/4"
30334-5	0-10 bar, 8 Watt, Size I, Size III, Brass, SS 316L, Port 1/4"
30333-5	0-10 bar, 8 Watt, Size I, Size III, Brass, SS 316, Port 3/8", 1/2"
30334-7	0-10 bar, 15/20 Watt, Size II, Brass, SS316L
30309-10	0-10 bar, 15/20 Watt, Size II, Aluminium, Brass, SS316L, Port 3/8", 1/2"
30329-5	0-12 bar, 8 Watt, Size III, Brass, SS316L
30329-7	0-16 bar, 15/20 Watt, Size II, Aluminium, Brass, SS316L, Port 1/4", 3/8"
30329-10	0-16 bar, 15/20 Watt, Size II, Aluminium, Brass, SS316L, Port 3/8", 1/2"
LOW POWER	
P3005-5	0-10 bar, 5 Watt, Size III, Brass, SS316L, Port 3/8", 1/2"
P3012-5	0-10 bar, 3.5 Watt, Size III, Brass, SS316L, Port 3/8", 1/2"
P3005-R-5	0-10 bar, 5 Watt, Size III, Brass, SS316L, Port 1/4"
P3012-R-5	0-10 bar, 3.5 Watt, Size III, Brass, SS316L, Port 1/4"
P3017V01-R-5	0-10 bar, 1.8 Watt, Size IV, Brass, SS316L
P3017V01-R-5	0-10 bar, 1.0 Watt, Size IV, Enclosure Type 17 or 87, Brass, SS316L
INTRINSICALLY SAFE Ex ia 24V DC	
P3017V01-R-5	0-10 bar, Ex ia, Size IV, Enclosure Type 62, Brass, SS316L

SIL CERTIFIED	
CODE	DESCRIPTION
① ✖	NO
SL	YES

SUFFIX	
CODE	DESCRIPTION
① ✖	NIL
⑧ AM	Ammonia
⑧ SO	Anti Corrosive Operator
OX	Oxygen service
⑰ TC	2 Port Bi Directional NC
⑱ TO	2 Port Bi Directional NO

ORIFICE	
CODE	DESCRIPTION
5	5mm
7	7mm
10	10mm

PORT CONNECTION	
CODE	DESCRIPTION
2G	1/4" BSP
2R	1/4" NPT
3G	3/8" BSP
3R	3/8" NPT
4G	1/2" BSP
4R	1/2" NPT

BODY MATERIAL	
CODE	DESCRIPTION
① ✖	Aluminium
B2	Brass
B5	SS 316
B5N	SS316 NACE Compliance
B9	SS 316L

MANUAL OVERRIDE	
CODE	DESCRIPTION
① ✖	NIL
M6	Stayput
M8	Momentary

SEAL					
CODE	GRADE, AMBIENT/ FLUID TEMPERATURE	① ✖	LPG	OIL	FUEL
① ✖	NBR, -25 °C to 75 °C	✓	✓		
S2G	Viton, -40 °C to 160 °C	✓	✓	✓	✓
S19	F. Silicon, -60 °C to 190 °C	✓			

⑰ MEDIA	
CODE	DESCRIPTION
① ✖	Air, Inert Gas, Water
LPG	LPG
Oil	Lubricating, Hydraulic, Turbine
Fuel	Petrol, Diesel, Kerosene, CNG

3/2 DIRECT ACTING HIGH ORIFICE UNIVERSAL SOLENOID VALVE

SIZE-VOLTAGE CURRENT		
CODE	SIZE	COIL VOLTAGE
I-12V DC	I	12V DC
I-24V DC	I	24V DC
III-12V DC	III	12V DC
III-24V DC	III	24V DC
III-24V AC/ DC	III	④ 24V 50Hz/ 60Hz/ DC
III-48V DC	III	48V DC
III-110V DC	III	110V DC
III-110V AC/ DC	III	④ 110V 50Hz/ 60Hz/ DC 120V 50Hz/ 60Hz/ DC
III-220V DC	III	220V DC
III-230V AC/ DC	III	④ 220V 50Hz/ 60Hz/ DC 240V 50Hz/ 60Hz/ DC
III-256V DC	III	256V DC
II-12V DC	II	12V DC
II-24V DC	II	24V DC
II-24V AC/ DC	II	④ 24V 50Hz/ 60Hz/ DC
II-48V DC	II	48V DC
II-110V DC	II	110V DC
II-110V AC/ DC	II	④ 110V 50Hz/ 60Hz/ DC 120V 50Hz/ 60Hz/ DC
II-220V DC	II	220V DC
II-230V AC/ DC	II	④ 220V 50Hz/ 60Hz/ DC 240V 50Hz/ 60Hz/ DC
II-256V DC	II	256V DC
IV-24V DC	IV	24V DC
IV-110V DC	IV	110V DC

ENCLOSURE TYPE	
CODE	DESCRIPTION
WEATHER PROOF	
⑫ 22	DIN Plug Solenoid, IP 67, Cable Entry Pg9, as per DIN43650A, Size I
⑫ 25	DIN Plug Solenoid, IP 67, Cable Entry Pg9, as per DIN43650B, Size III, II, IV
16	Integrated Terminal box, IP 67, 1/2" NPT, -40 °C to 100 °C
16A	Integrated Terminal box, IP68, 1/2" NPT, -40°C to 100°C
19	Integrated Terminal box, IP 67, M20 X 1.5, -40 °C to 100 °C
19A	Integrated Terminal box, IP68, M20 X 1.5, -40°C to 100°C
17	Integrated Terminal Box, Bottom Cable entry M25X1.5, Size II, III, IV, Insulation Class H
17NS	Integrated Terminal Box, Bottom Cable entry 1/2" NPT, Size II, III, IV, Insulation Class H
EXPLOSION PROOF Ex d (For Gas & Dust)	
⑮ 37	Ex d IIC IP66, -40 °C TO 60 °C, 1/2" NPT
⑮ 39	Ex d IIC IP66, -40 °C TO 60 °C, M20 X 1.5
87	Ex d IIC IP67, -60 °C TO 100 °C, M25 X 1.5, Size II, III, IV
87MS	Ex d IIC IP67, -60 °C TO 100 °C, M20 X 1.5, Size II, III, IV
87NS	Ex d IIC IP67, -60 °C TO 100 °C, 1/2" NPT, Size II, III, IV
EXPLOSION PROOF Ex e mb (For Gas & Dust)	
58	Ex e mb IIC, IP67, -40 °C TO 70 °C, M25 X 1.5
58MS	Ex e mb IIC, IP67, -40 °C TO 70 °C, M20 X 1.5
58NS	Ex e mb IIC, IP67, -40 °C TO 70 °C, 1/2" NPT
58LT	Ex e mb IIC, IP67, -60 °C TO 70 °C, M25 X 1.5
58LTMS	Ex e mb IIC, IP67, -60 °C TO 70 °C, M20 X 1.5
58LTNS	Ex e mb IIC, IP67, -60 °C TO 70 °C, 1/2" NPT
EXPLOSION PROOF Ex ia (For Gas & Dust)	
62	Ex ia IIC, IP67, -60 °C TO 70 °C, M25 X 1.5, Size IV, Booster Circuit
62MS	Ex ia IIC, IP67, -60 °C TO 70 °C, M20 X 1.5, Size IV, Booster Circuit
62NS	Ex ia IIC, IP67, -60 °C TO 70 °C, 1/2" NPT, Size IV, Booster Circuit

⑦ ENCLOSURE MATERIAL	
CODE	DESCRIPTION
① ✖	Aluminium Cast Epoxy Powder Coated
CO	CF8M (Stainless Steel Cast)

SPECIAL	
CODE	DESCRIPTION
① ✖	NIL
⑦ FR	Full Rectifier with Surge Suppressor Size II, III, IV
⑲ LD	LED, Size II, III, IV
⑫ SS	Surge Suppressor Size II, III, IV
⑳	

INSULATION	
CODE	DESCRIPTION
① ✖	CLASS F
H	CLASS H

SIL	
CODE	DESCRIPTION
① ✖	NO
SL	YES

POWER													
CODE	SIZE	POWER WATT	12V DC	24V DC	24V AC/ DC	48V DC	110V DC	110V AC/ DC		220V DC	230V AC/ DC		256V DC
			12V DC	24V DC	④ 24V 50Hz/ 60 Hz/ DC	48V DC	110V DC	④ 110V 50Hz/ 60Hz/ DC	④ 120V 50Hz/ 60Hz/ DC	220V DC	④ 220V 50Hz/ 60Hz/ DC	④ 240V 50Hz/ 60Hz/ DC	256V DC
① ✖	I	8.0	✓	✓									
LW3.5	III	3.5	✓	✓		✓	✓	✓					
		4.0							✓				
LW5	III	5.0	✓	✓	✓	✓	✓	✓		✓			
		6.0							✓			✓	
① ✖	III	8.0	✓	✓	✓	✓	✓	✓	✓	✓			
		9.0							✓			✓	✓
LW15	II	15.0	✓	✓		✓	✓			✓			
		18.0											✓
LW20	II	20.0			✓			✓			✓		
		22.0							✓			✓	
LW1.8	IV	1.8		✓			✓	✓					
⑪ LW1	IV	1.0		✓									

3/2 DIRECT ACTING HIGH ORIFICE UNIVERSAL SOLENOID VALVE

APPROVAL		ENCLOSURE TYPE						
CODE	DESCRIPTION	17	37	39	58	58LT	62	87
① ⑮ ✖	CCOE/ PESO + BIS, Insulation Class H		✓	✓			✓	✓
01	CE - ATEX, Insulation Class H		✓	✓	✓	✓		
01	IEC Ex + ATEX, Insulation Class H						✓	✓
01B	INDIAN + ATEX, Insulation Class H		✓	✓			✓	✓
02	UL Recognised, for USA and Canada, Type 3, 3S, 4, 4X, 6, 6P UL file Number E 342217	✓						
03	INMETRO + ATEX, Insulation Class H		✓	✓			✓	✓
03C	IEC Ex + ATEX + IN METRO + CuTR-EAC							✓
03U	IEC Ex + ATEX + IN METRO + UL (Type 3, 3S, 4, 4X, 6, 6P)	✓						
04	CuTR- EAC + ATEX , Insulation Class H		✓	✓			✓	✓
04U	IEC Ex + ATEX + CuTR + UL (Type 3, 3S, 4, 4X, 6, 6P)	✓						
⑰ 07	KOSHA + ATEX, Insulation Class H							✓
08	Ukraine, Insulation Class H						✓	✓
⑮ MN	DGMS+CCOE/ PESO + BIS, Insulation Class H		✓	✓			✓	✓
⑳ CE	CE (Weatherproof Solenoid)	✓						

Note :

- ① Do not specify when opted for
- ② Approval Other than BIS, CCOE/ PESO, DGMS
- ③ BIS, CCOE/ PESO, DGMS Approved coil
- ④ Opt FR from special
- ⑦ Do not Opt for Enclosure Type 01, 06, 22, 25
- ⑧ Select Body Material SS316 (B5)
- ⑨ All variation of 17, 37, 39, 58, 58LT, 62, 87 included
- ⑩ Media should be Oil free Air/ Inert Gas/ Water
- ⑪ Enclosure type 17, 17NS, 87, 87MS, 87NS
- ⑫ Current DC
- ⑬ Ambient Temperature restricted for Enclosure Type 17, 37, 39, 58, 58LT, 62, 87 to Solenoid Ambient Temperature
- ⑭ Select Nil or one Accessories from A1 to A6 for Valve and from B1 to B8 for Solenoid
- ⑮ IP67 Certified by BIS, CCOE/ PESO, DGMS
- ⑰ Type 30308, 30334, 30309, 30329, 30333, P3012-R, P3005-R, P3017V01-R with Suffix TC (Port 3 plugged) can be used as 2 Port NC Bi Directional Valve. Type 20105, 20106 can be replaced
- ⑱ Type 30308, 30334, 30309, 30329, 30333, P3012-R, P3005-R, P3017V01-R with Suffix TO (Port 1 plugged) can be used as 2 Port NO Bi Directional Valve. Type 20205, 20206 Can be replaced
- ⑲ Can not be opted for Enclosure Type 01, 06
- ⑳ Can be opted for Enclosure Type 01, 06, 16, 19, 22, 25
- ㉑ KOSHA Certificate only for Enclosure size II ≤ 20W
- ㉒ Do not Opt for Enclosure Type 01, 06, 22
- ㉓ Media shall not be part of Ordering code but It shall be printed separately on Valve

ENTITY PARAMETER

Entity Parameter	
Ui	32V DC
Ii	230mA
Pi	2.3W
Ci	0
Li	0

MINIMUM OPERATING PARAMETER

Type	62	62..LD..
Minimum Voltage (V)	11	12
Minimum Current (mA)	22	24
Minimum Power (W)	0.24	0.26
LED	NO	YES
Pressure (bar)	10	10

RESPONSE ON TIME FOR SOLENOID TYPE 62, 62..LD..

Voltage (V)	10	11	12	14	18	22	24	26	30	32	Current (mA)	18.5	20	25	30
Current (mA)	20	22	24	28.5	37	45.5	49.7	54	63	67	Open Ckt Voltage (V)	19.5	19.5	19.5	19.5
Response Time (ms) ≤	4800	3800	2500	1600	850	650	450	400	250	250	Time (ms) ≤	5000	4000	2500	2000

3/2 DIRECT ACTING HIGH ORIFICE UNIVERSAL SOLENOID VALVE

MARKING Explosion Proof

ENCLOSURE TYPE 37/ 39

SIZE	Power	BIS & PESO, DGMS	EAC - CuTR (Russia)	ATEX / INMETRO
I II IV	≤5W ≤8W ≤11W	Ex d IIC T6/T5 Gb, IP67 Ex tb IIIC T80°C/T95°C Db -40°C ≤ Ta ≤ 65°C FOR T6 -40°C ≤ Ta ≤ 70°C FOR T5	1 Ex d IIC T6/ T5/ T4 Gb IP66 Ex tb IIIC T80°C / T95°C / T130°C Db IP66 ИЛИ 0°C ≤ Ta ≤ 35°C FOR T6 -40°C ≤ Ta ≤ 50°C FOR T5 -40°C ≤ Ta ≤ 60°C FOR T4	Ex d IIC T6/ T5/ T4 Gb IP66 Ex tb IIIC T80°C / T95°C / T130°C Db IP66 -40°C ≤ Ta ≤ 35°C FOR T6 -40°C ≤ Ta ≤ 50°C FOR T5 -40°C ≤ Ta ≤ 60°C FOR T4 (Power ≤ 20W)
I II III	≤8W ≤13W ≤8W	Ex d IIC T6/T5 Gb, IP67 Ex tb IIIC T80°C/T95°C Db -40°C ≤ Ta ≤ 60°C FOR T6 -40°C ≤ Ta ≤ 70°C FOR T5		
III	≤15W	Ex d IIC T6/T5/T4 ≤Gb, IP67 Ex tb IIIC T80°C/T95°C/T130°C Db -40°C ≤ Ta ≤ 50°C FOR T6 -40°C ≤ Ta ≤ 65°C FOR T5 -40°C ≤ Ta ≤ 70°C FOR T4		
III IV	≤5W ≤5W	Ex d IIC T6 Gb, IP67 Ex tb IIIC T80°C Db -40°C ≤ Ta ≤ 70°C FOR T6		
II	≤20W	Ex d IIC T6/T5 Gb, IP67 Ex tb IIIC T80°C / T95°C Db -40°C ≤ Ta ≤ 55°C FOR T6 -40°C ≤ Ta ≤ 70°C FOR T5		
II	≤30W	Ex d IIC T6/T5/T4 Gb, IP67 Ex tb IIIC T80°C/T95°C/ T130°C Db -40°C ≤ Ta ≤ 40°C FOR T6 -40°C ≤ Ta ≤ 55°C FOR T5 -40°C ≤ Ta ≤ 70°C FOR T4		

ENCLOSURE TYPE 87

SIZE	Power	ATEX, IEC Ex, BIS & PESO, DGMS	INMETRO	EAC - CuTR (Russia) / UKRANE	KOSHA
III II IV	≤5W ≤8W ≤11W	Ex d IIC T6/T5/T4 Gb IP67 Ex t IIIC T80°C/T95°C/T130°C Db IP67 -60°C ≤ Ta ≤ +65°C for T6 -60°C ≤ Ta ≤ +80°C for T5 -60°C ≤ Ta ≤ +100°C for T4	Ex d IIC T6/T5/T4 Gb Ex t IIIC T85°C/T100°C/T135°C Db IP67 -60°C ≤ Ta ≤ +65°C for T6 -60°C ≤ Ta ≤ +80°C for T5 -60°C ≤ Ta ≤ +100°C for T4	1 Ex d IIC T6/T5/T4 Gb IP67 Ex tb IIIC T80°C/T95°C/T130°C Db ИЛИ -60°C ≤ Ta ≤ +65°C for T6 -60°C ≤ Ta ≤ +80°C for T5 -60°C ≤ Ta ≤ +100°C for T4	형식 또는 모델명 : 87, BCE 규격 또는 등급 : Ex d IIC T3-T6 제조자명 : Rotex Automation Limited 안전인증 번호 : 15-AV4BO-0000
III II	≤8W ≤13W	Ex d IIC T6/T5/T4 Gb IP67 Ex t IIIC T80°C/T95°C/T130°C Db IP67 -60°C ≤ Ta ≤ +60°C for T6 -60°C ≤ Ta ≤ +75°C for T5 -60°C ≤ Ta ≤ +100°C for T4	Ex d IIC T6/T5/T4 Gb Ex t IIIC T85°C/T100°C/T135°C Db IP67 -60°C ≤ Ta ≤ +60°C for T6 -60°C ≤ Ta ≤ +75°C for T5 -60°C ≤ Ta ≤ +100°C for T4	1 Ex d IIC T6/T5/T4 Gb IP67 Ex tb IIIC T80°C/T95°C/T130°C Db ИЛИ -60°C ≤ Ta ≤ +60°C for T6 -60°C ≤ Ta ≤ +75°C for T5 -60°C ≤ Ta ≤ +100°C for T4	
III	≤15W	Ex d IIC T6/T5/T4 Gb IP67 Ex t IIIC T80°C/T95°C/T130°C Db IP67 -60°C ≤ Ta ≤ +50°C for T6 -60°C ≤ Ta ≤ +65°C for T5 -60°C ≤ Ta ≤ +100°C for T4	Ex d IIC T6/T5/T4 Gb Ex t IIIC T85°C/T100°C/T135°C Db IP67 -60°C ≤ Ta ≤ +50°C for T6 -60°C ≤ Ta ≤ +65°C for T5 -60°C ≤ Ta ≤ +100°C for T4	1 Ex d IIC T6/T5/T4 Gb IP67 Ex tb IIIC T80°C/T95°C/T130°C Db ИЛИ -60°C ≤ Ta ≤ +50°C for T6 -60°C ≤ Ta ≤ +65°C for T5 -60°C ≤ Ta ≤ +100°C for T4	
IV	≤5W	Ex d IIC T6/T5/T4 Gb IP67 Ex t IIIC T80°C/T95°C/T130°C Db IP67 -60°C ≤ Ta ≤ +70°C for T6 -60°C ≤ Ta ≤ +85°C for T5 -60°C ≤ Ta ≤ +100°C for T4	Ex d IIC T6/T5/T4 Gb Ex t IIIC T85°C/T100°C/T135°C Db IP67 -60°C ≤ Ta ≤ +70°C for T6 -60°C ≤ Ta ≤ +85°C for T5 -60°C ≤ Ta ≤ +100°C for T4	1 Ex d IIC T6/T5/T4 Gb IP67 Ex tb IIIC T80°C/T95°C/T130°C Db ИЛИ -60°C ≤ Ta ≤ +70°C for T6 -60°C ≤ Ta ≤ +85°C for T5 -60°C ≤ Ta ≤ +100°C for T4	
II	≤20W	Ex d IIC T5/T4/T3 Gb IP67 Ex IIIC T95°C/T130°C/155°C Db IP67 -60°C ≤ Ta ≤ +45°C for T5 -60°C ≤ Ta ≤ +80°C for T4 -60°C ≤ Ta ≤ +100°C for T3	Ex d IIC T5/T4/T3 Gb Ex IIIC T100°C/T135°C/155°C Db IP67 -60°C ≤ Ta ≤ +45°C for T5 -60°C ≤ Ta ≤ +80°C for T4 -60°C ≤ Ta ≤ +100°C for T3	1 Ex d IIC T5/T4/T3 Gb IP67 Ex tb IIIC T95°C/T130°C/T155°C Db ИЛИ -60°C ≤ Ta ≤ +45°C for T5 -60°C ≤ Ta ≤ +80°C for T4 -60°C ≤ Ta ≤ +100°C for T3	
II	≤30W	Ex d IIC T4/T3 Gb IP67 Ex IIIC T130°C/T155°C Db IP67 -60°C ≤ Ta ≤ +60°C for T4 -60°C ≤ Ta ≤ +70°C for T3	Ex d IIC T4/T3 Gb Ex IIIC T135°C/T155°C Db IP67 -60°C ≤ Ta ≤ +60°C for T4 -60°C ≤ Ta ≤ +70°C for T3	1 Ex d IIC T4/T3 Gb IP67 Ex tb IIIC T130°C/T155°C Db ИЛИ -60°C ≤ Ta ≤ +60°C for T4 -60°C ≤ Ta ≤ +70°C for T3	

3/2 DIRECT ACTING HIGH ORIFICE UNIVERSAL SOLENOID VALVE

MARKING Explosion Proof

ENCLOSURE TYPE 58

SIZE	Power	CE-ATEX, Insulation H
I II IV	≤5W ≤8W ≤11W	Ex e mb IIC T6/ T5 IP67 Ex tb IIIC T6/ T5 IP67 -40° C ≤ Ta ≤ 65° C for T6 -40° C ≤ Ta ≤ 70° C for T5
I II III	≤8W ≤13W ≤8W	Ex e mb IIC T6/ T5 IP67 Ex tb IIIC T6/ T5 IP67 -40° C ≤ Ta ≤ 60° C for T6 -40° C ≤ Ta ≤ 70° C for T5
III	≤15W	Ex e mb IIC T6/ T5/ T4 IP67 Ex tb IIIC T6/ T5/ T4 IP67 -40° C ≤ Ta ≤ 50° C for T6 -40° C ≤ Ta ≤ 65° C for T5 -40° C ≤ Ta ≤ 70° C for T4
III IV	≤5W ≤5W	Ex e mb IIC T6 IP67 Ex tb IIIC T6 IP67 -40° C ≤ Ta ≤ 70° C for T6
II	≤20W	Ex e mb IIC T6/ T5 IP67 Ex tb IIIC T6/ T5 IP67 -40° C ≤ Ta ≤ 55° C for T6 -40° C ≤ Ta ≤ 70° C for T5
II	≤30W	Ex e mb IIC T6/ T5/ T4 IP67 Ex tb IIIC T6/ T5/ T4 IP67 -40° C ≤ Ta ≤ 40° C for T6 -40° C ≤ Ta ≤ 55° C for T5 -40° C ≤ Ta ≤ 70° C for T4

ENCLOSURE TYPE 58LT

SIZE	Power	CE-ATEX, Insulation H
I II IV	≤5W ≤8W ≤11W	Ex e mb IIC T6/ T5 IP67 Ex tb IIIC T6/ T5 IP67 -60° C ≤ Ta ≤ 65° C for T6 -60° C ≤ Ta ≤ 70° C for T5
I II III	≤8W ≤13W ≤8W	Ex e mb IIC T6/ T5 IP67 Ex tb IIIC T6/ T5 IP67 -60° C ≤ Ta ≤ 60° C for T6 -60° C ≤ Ta ≤ 70° C for T5
III	≤15W	Ex e mb IIC T6/ T5/ T4 IP67 Ex tb IIIC T6/ T5/ T4 IP67 -60° C ≤ Ta ≤ 50° C for T6 -60° C ≤ Ta ≤ 65° C for T5 -60° C ≤ Ta ≤ 70° C for T4
III IV	≤5W ≤5W	Ex e mb IIC T6 IP67 Ex tb IIIC T6 IP67 -60° C ≤ Ta ≤ 70° C for T6
II	≤20W	Ex e mb IIC T6/ T5 IP67 Ex tb IIIC T6/ T5 IP67 -60° C ≤ Ta ≤ 55° C for T6 -60° C ≤ Ta ≤ 70° C for T5
II	≤30W	Ex e mb IIC T6/ T5/ T4 IP67 Ex tb IIIC T6/ T5/ T4 IP67 -60° C ≤ Ta ≤ 40° C for T6 -60° C ≤ Ta ≤ 55° C for T5 -60° C ≤ Ta ≤ 70° C for T4

ENCLOSURE TYPE 62

Enclosure	ATEX/ IECEx (Eurpoe)/ INMETRO/ CEPTEL (Brazil)	EAC - CuTR (Russia)	BIS & PESO, DGMS
Al Cast	Ex ia IIC T5 Ga (-60°C≤Ta≤+75°C) Ex ia IIC T6 Ga (-60°C≤Ta≤+60°C) Ex ia IIIC T2oo 125°C IP67 Da (-60°C≤Ta≤+75°C)	0 Ex ia IIC T5 Ga IP67 (-60°C≤Ta≤+75°C) 0 Ex ia IIC T6 Ga IP67 (-60°C≤Ta≤+60°C) 0 Ex ia IIIC T2oo 125°C IP67 Da (-60°C≤Ta≤+75°C)	Ex ia I/IIC T5, IP67 (-40°C≤Ta≤75°C) Ex ia I/IIC T6, IP67 (-40°C≤Ta≤60°C)
SS Cast	Ex ia IIC T5 Ga (-60°C≤Ta≤+75°C) Ex ia IIC T6 Ga (-60°C≤Ta≤+60°C) Ex ia IIIC T2oo 125°C IP67 Da (-60°C≤Ta≤+75°C) Ex ia I Ma (-60°C≤Ta≤+75°C)	0 Ex ia IIC T5 Ga IP67 (-60°C≤Ta≤+75°C) 0 Ex ia IIC T6 Ga IP67 (-60°C≤Ta≤+60°C) 0 Ex ia IIIC T2oo 125°C IP67 Da (-60°C≤Ta≤+75°C) PO Ex ia I Ma (-60°C≤Ta≤+75°C) (ТОЛЬКО СТАЛЬ) ИЛИ	
Ukraine			
Al Cast	0 Ex ia IIC T5 X -60°C≤Ta≤+75°C 0 Ex ia IIC T6 X -60°C≤Ta≤+60°C		
SS Cast	PO Ia X -60°C≤Ta≤+75°C (ДЛЯ варіанту у сталюму корпусі) 0 Ex ia IIC T5 X -60°C≤Ta≤+75°C 0 Ex ia IIC T6 X -60°C≤Ta≤+60°C		

MARKING Weather Proof

ENCLOSURE TYPE 17

US & Canada (UL Recognised)
TYPE 3, 3R, 3S, 4, 4X, 6 & 6P -60°C to +100°C POWER ≤20W -60°C to +60°C 20W< POWER ≤30W

3/2 DIRECT ACTING HIGH ORIFICE UNIVERSAL SOLENOID VALVE

14 ACCESSORIES		
	CODE	DESCRIPTION
	① ×	NIL
	A1	NRV Metallic Dust cap SS316, ideally suited for Protecting Valve internals from external Environment (Ambient Temperature - 60 °C to 150 °C), Water, Snow, Bugs, etc.
	A3	Silencer Sintered Bronze
	A4	Silencer Sintered SS
	A5	Dust cap (Ambient Temperature - 20 °C to 80 °C)
	A6	NRV Dust cap Nylon, ideally suited for preventing external Environmental Media/ Water/ Liquid entering in the valve. Supplied only for 1/4" BSP/ NPT (Ambient Temperature - 20 °C to 80 °C)
	① ×	NIL
	B1	Weather Proof Cable Gland M20X1.5(M) Brass
	B5	ATEX Approved Cable Gland (Plastic) M20X1.5(M) (Ambient Temperature - 20 °C to 80 °C)
	B6	ATEX Approved Cable Gland (BRASS) M20X1.5(M) (Ambient Temperature - 20 °C to 80 °C)
	B7	ATEX Approved Cable Gland (SS316) M20X1.5(M) (Ambient Temperature - 20 °C to 80 °C)
	B8	Weather Proof Cable gland M20X1.5(M) (Plastic)
	B3	Explosion Proof Double Compression Cable Gland (BRASS) 1/2" NPT(M) (Ambient Temperature - 20 °C to 80 °C), CCOE/ PESO Certified
	B4	Explosion Proof Double Compression Cable Gland (SS316) 1/2" NPT(M) (Ambient Temperature - 20 °C to 80 °C), CCOE/ PESO Certified

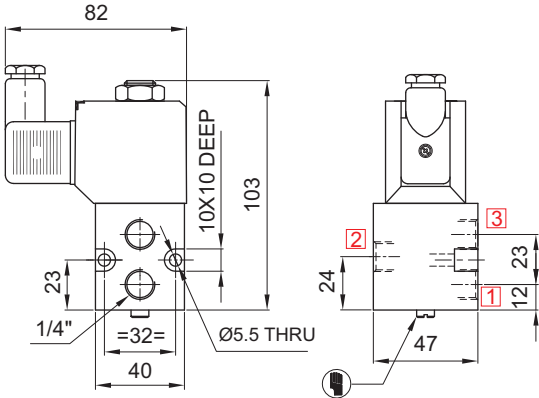
VALVE-PORT

SOLENOID

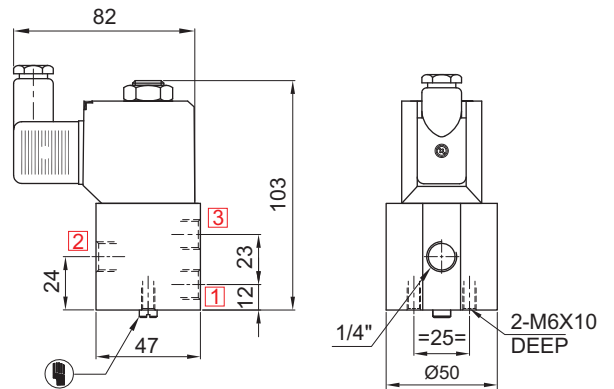
SERIES : 32D

3/2 DIRECT ACTING HIGH ORIFICE UNIVERSAL SOLENOID VALVE

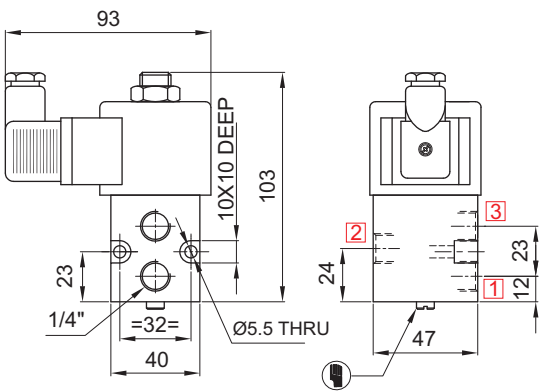
DIMENSIONS All Dimensions are in mm



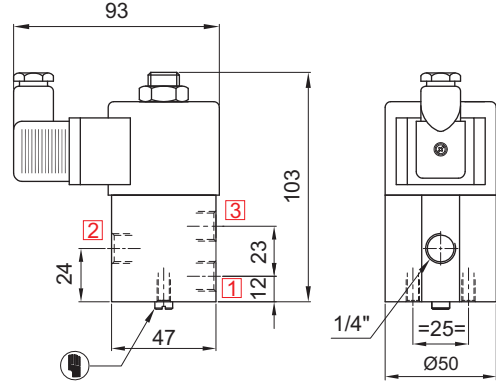
Valve Type	30308
Solenoid Model	22
Solenoid Size	I
Body Material	Aluminium, Brass



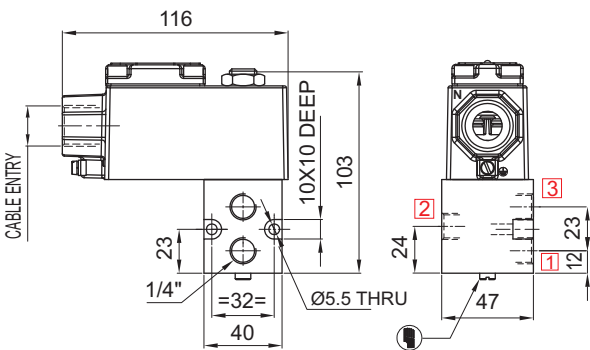
Valve Type	30308-B5
Solenoid Model	22
Solenoid Size	I
Body Material	SS



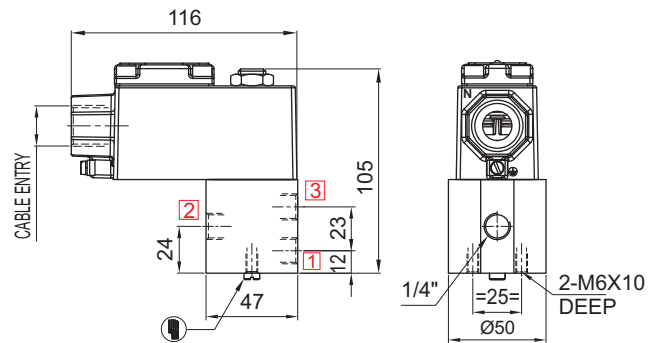
Valve Type	30308
Solenoid Model	25
Solenoid Size	III
Body Material	Aluminium, Brass



Valve Type	30308-B5
Solenoid Model	25
Solenoid Size	III
Body Material	SS



Valve Type	30308
Solenoid Model	16, 19, 37, 39, 58, 58LT
Solenoid Size	I
Body Material	Aluminium, Brass

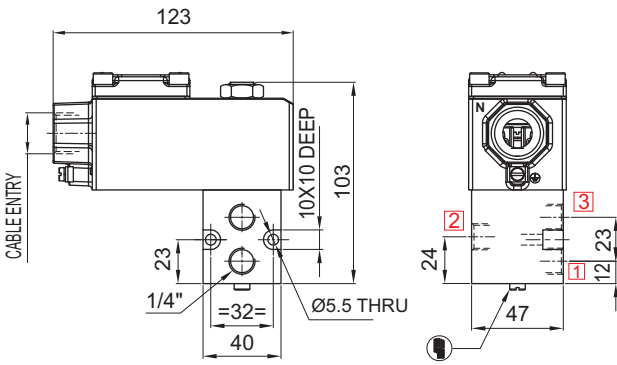


Valve Type	30308-B5
Solenoid Model	16, 19, 37, 39, 58, 58LT
Solenoid Size	I
Body Material	SS

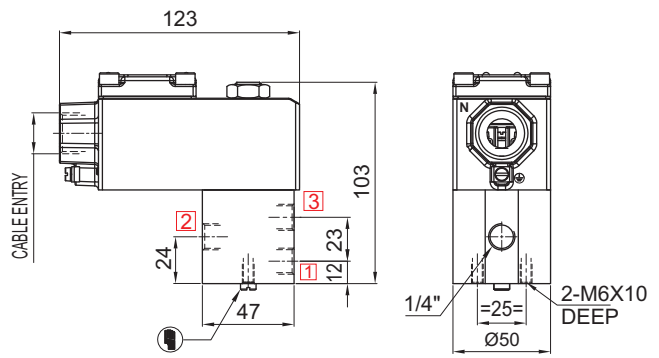
3/2 DIRECT ACTING HIGH ORIFICE UNIVERSAL SOLENOID VALVE

DIMENSIONS

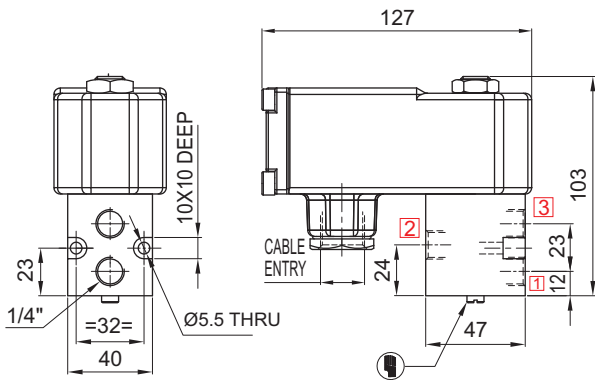
All Dimensions are in mm



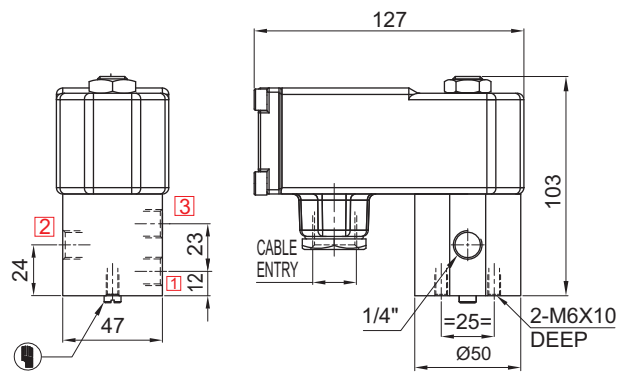
Valve Type	30308
Solenoid Model	16, 19, 37, 39, 58, 58LT
Solenoid Size	III
Body Material	Aluminium, Brass



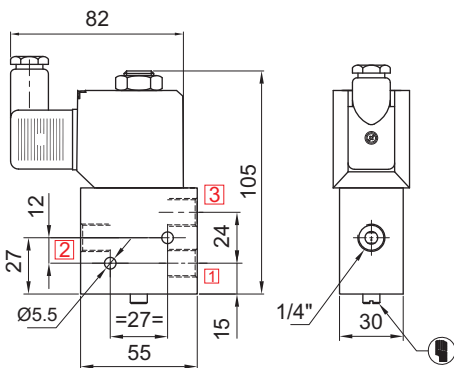
Valve Type	30308-B5
Solenoid Model	16, 19, 37, 39, 58, 58LT
Solenoid Size	III
Body Material	SS



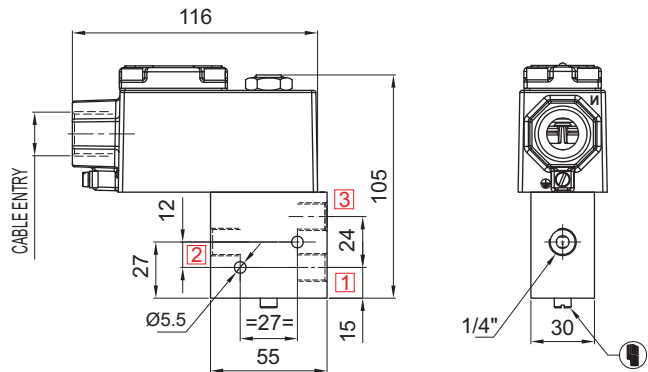
Valve Type	30308
Solenoid Model	17, 87
Solenoid Size	III
Body Material	Aluminium, Brass



Valve Type	30308-B5
Solenoid Model	17, 87
Solenoid Size	III
Body Material	SS



Valve Type	30334-5
Solenoid Model	22
Solenoid Size	I
Body Material	Brass, SS

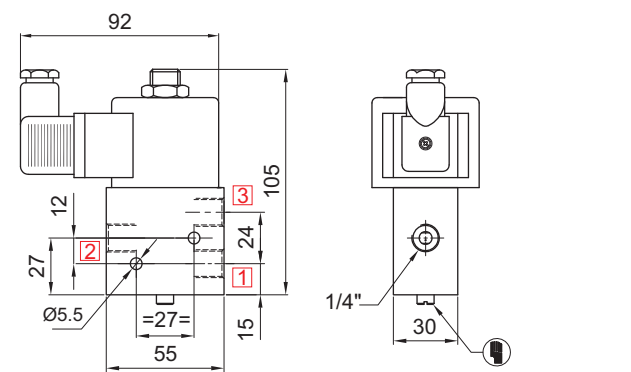


Valve Type	30334-5
Solenoid Model	16, 19, 37, 39, 58, 58LT
Solenoid Size	I
Body Material	Brass, SS

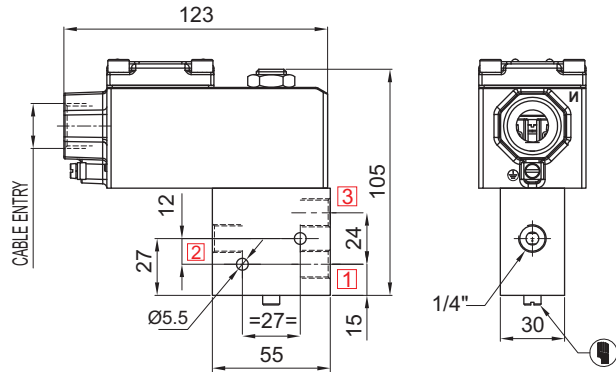
SERIES : 32D

3/2 DIRECT ACTING HIGH ORIFICE UNIVERSAL SOLENOID VALVE

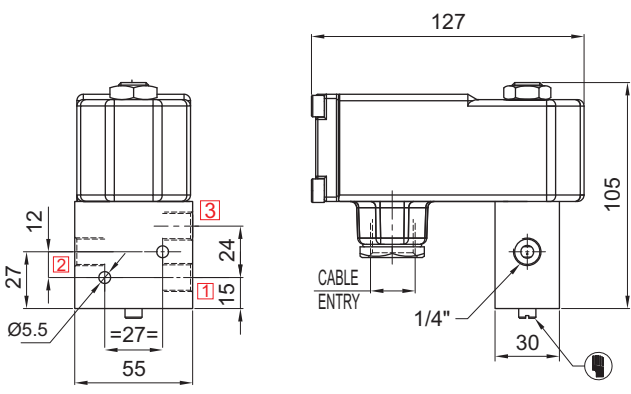
DIMENSIONS All Dimensions are in mm



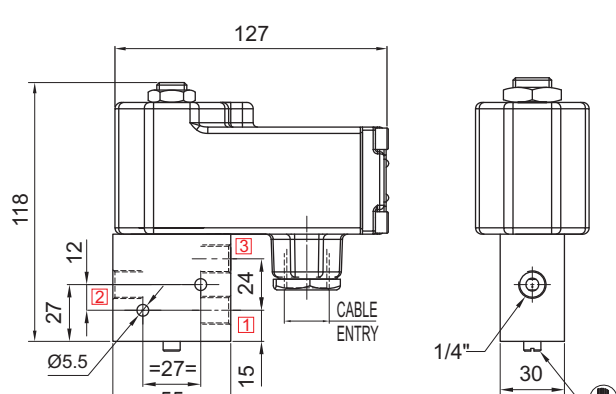
Valve Type	30334, P3005-R, P3012-R, 30329-5
Solenoid Model	25
Solenoid Size	III
Body Material	Brass, SS



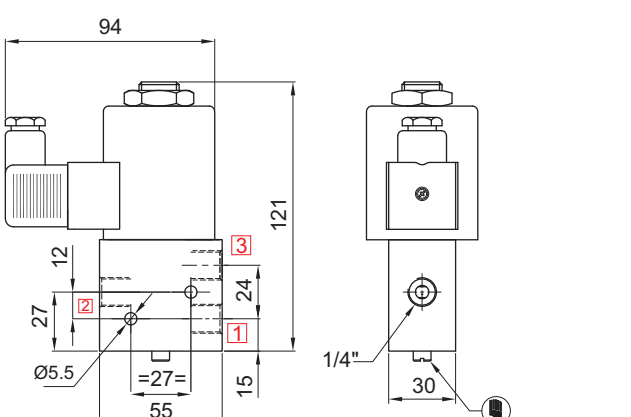
Valve Type	30334, P3005-R, P3012-R, 30329-5
Solenoid Model	16, 19, 37, 39, 58, 58LT
Solenoid Size	III
Body Material	Brass, SS



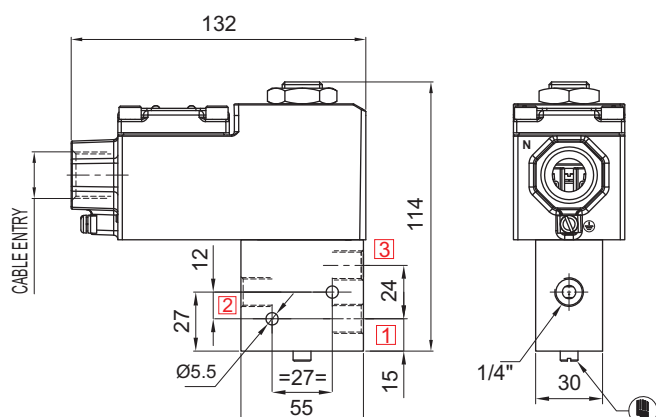
Valve Type	30334, P3005-R, P3012-R, 30329-5
Solenoid Model	17, 87
Solenoid Size	III
Body Material	Brass, SS



Valve Type	P3017V01-R
Solenoid Model	17, 87, 62
Solenoid Size	IV
Body Material	Brass, SS



Valve Type	P3017V01-R
Solenoid Model	25
Solenoid Size	IV
Body Material	Brass, SS

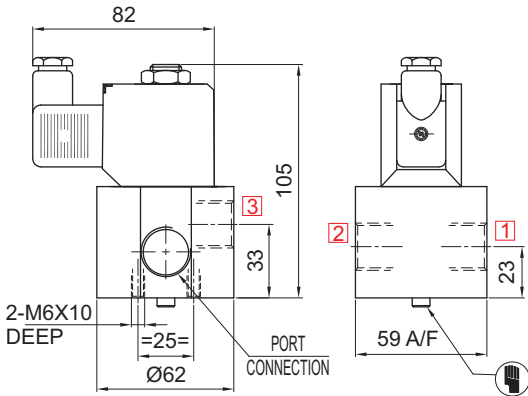


Valve Type	P3017V01-R
Solenoid Model	16, 37, 39
Solenoid Size	IV
Body Material	Brass, SS

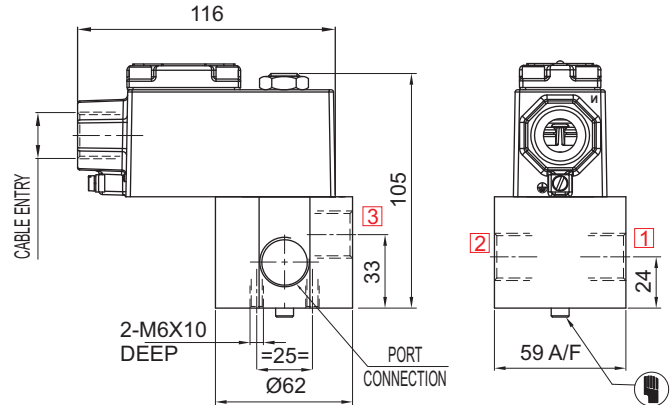
3/2 DIRECT ACTING HIGH ORIFICE UNIVERSAL SOLENOID VALVE

DIMENSIONS

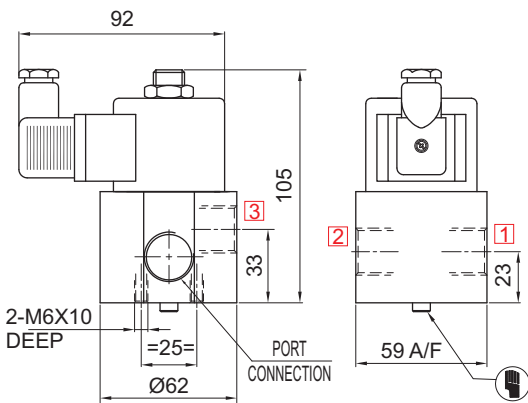
All Dimensions are in mm



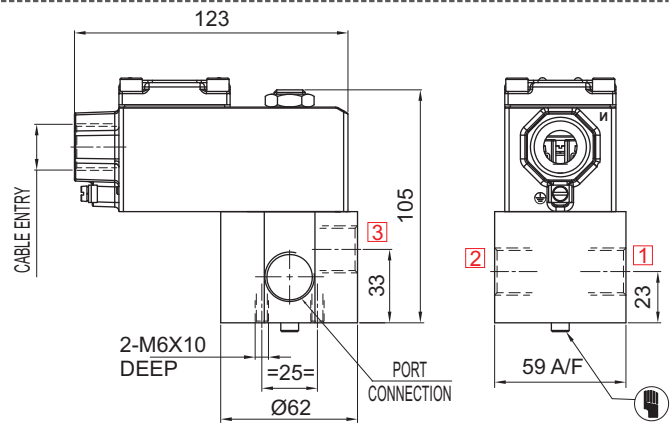
Valve Type	30333
Solenoid Model	22
Solenoid Size	I
Body Material	Brass, SS
Port Connection	3/8", 1/2"



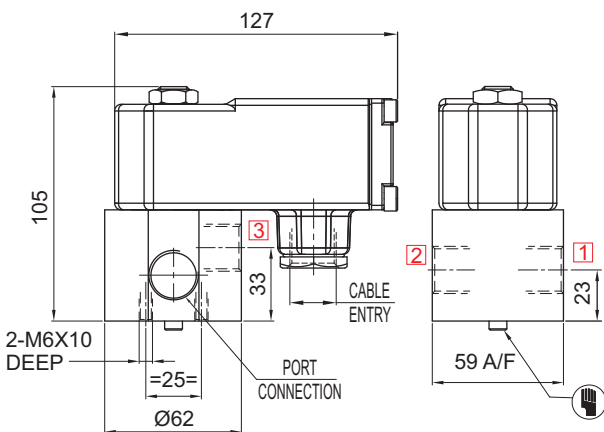
Valve Type	30333
Solenoid Model	16, 19, 37, 39, 58, 58LT
Solenoid Size	I
Body Material	Brass, SS
Port Connection	3/8", 1/2"



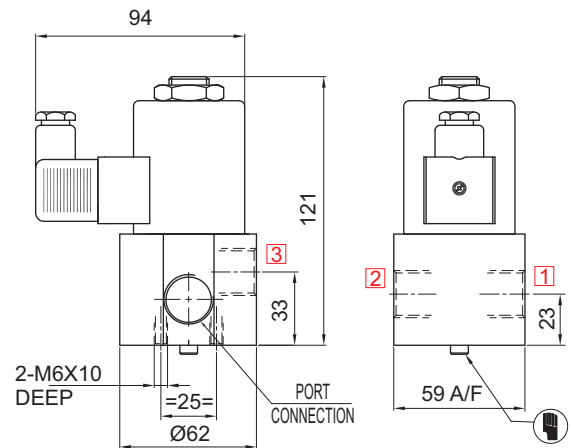
Valve Type	30333, P3005, P3012, 30329-5
Solenoid Model	25
Solenoid Size	III
Body Material	Brass, SS
Port Connection	3/8", 1/2"



Valve Type	30333, P3005, P3012, 30329-5
Solenoid Model	16, 19, 37, 39, 58, 58LT
Solenoid Size	III
Body Material	Brass, SS
Port Connection	3/8", 1/2"



Valve Type	30333, P3005, P3012, 30329-5
Solenoid Model	17, 87
Solenoid Size	III
Body Material	Brass, SS
Port Connection	3/8", 1/2"

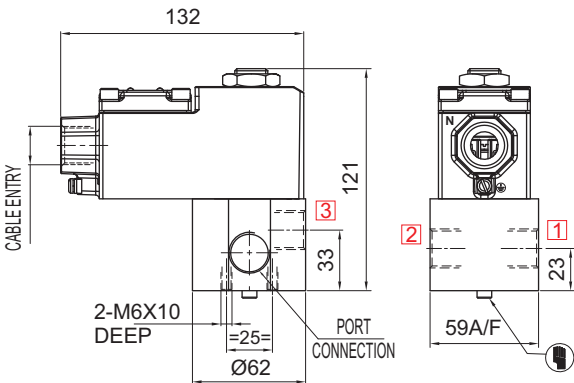


Valve Type	P3017V01
Solenoid Model	25
Solenoid Size	IV
Body Material	Brass, SS
Port Connection	3/8", 1/2"

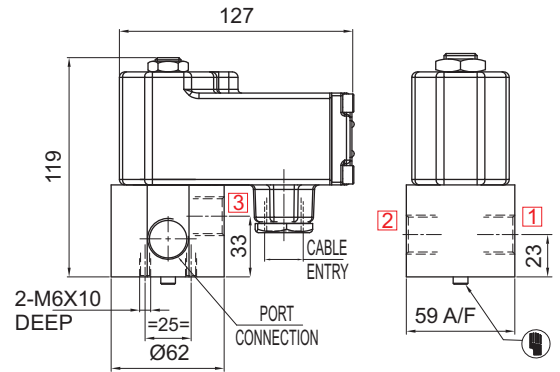
SERIES : 32D

3/2 DIRECT ACTING HIGH ORIFICE UNIVERSAL SOLENOID VALVE

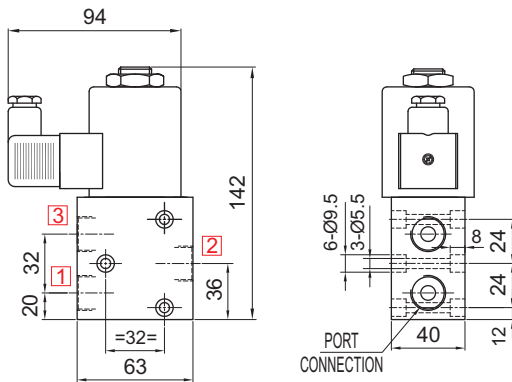
DIMENSIONS All Dimensions are in mm



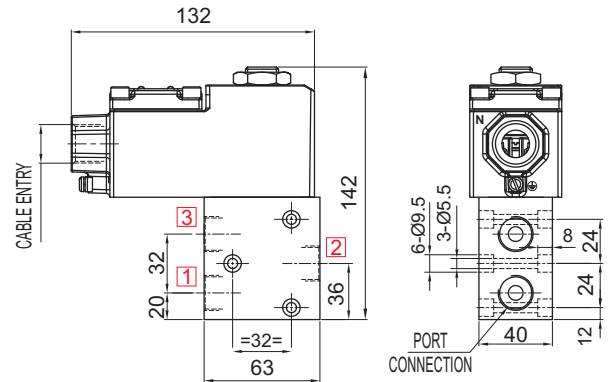
Valve Type	P3017V01
Solenoid Model	16, 37
Solenoid Size	IV
Body Material	Brass, SS
Port Connection	3/8", 1/2"



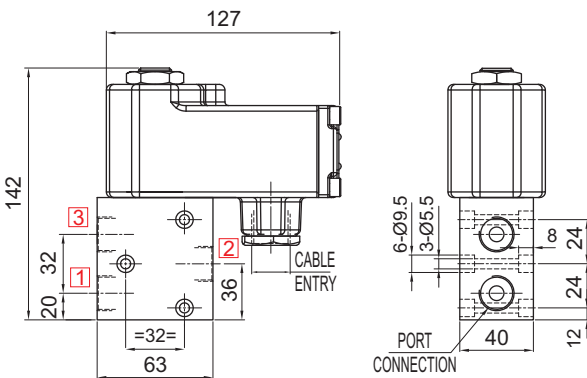
Valve Type	P3017V01
Solenoid Model	17, 87, 62
Solenoid Size	IV
Body Material	Brass, SS
Port Connection	3/8", 1/2"



Valve Type	30334-7
Solenoid Model	25
Solenoid Size	II
Body Material	Brass, SS
Port Connection	1/4", 3/8", 1/2"



Valve Type	30334-7
Solenoid Model	16, 19, 37, 39, 58, 58LT
Solenoid Size	II
Body Material	Brass, SS
Port Connection	1/4", 3/8", 1/2"

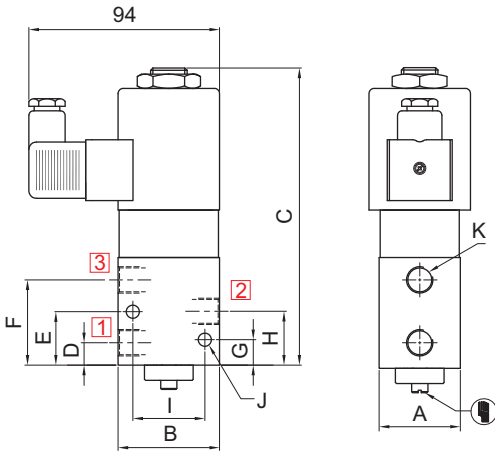


Valve Type	30334-7
Solenoid Model	17, 87
Solenoid Size	II
Body Material	Brass, SS
Port Connection	1/4", 3/8", 1/2"

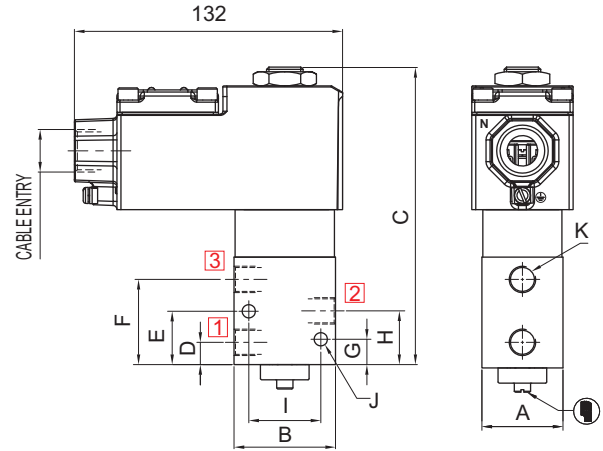
3/2 DIRECT ACTING HIGH ORIFICE UNIVERSAL SOLENOID VALVE

DIMENSIONS

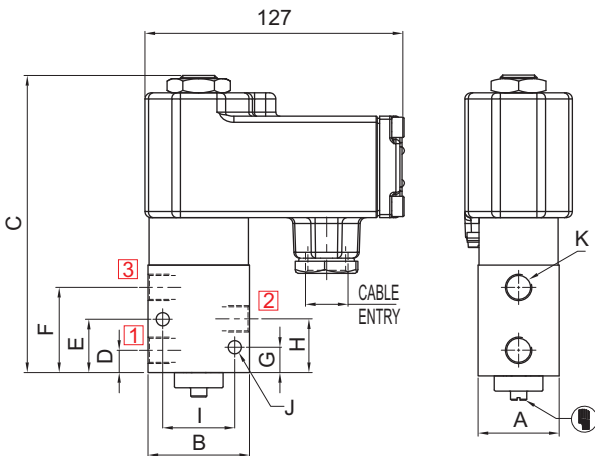
All Dimensions are in mm



Valve Type	30309-10, 30329-10	30329-7
Solenoid Model	25	
Solenoid Size	II	
Port Connection	3/8", 1/2"	1/4", 3/8"



Valve Type	30309-10, 30329-10	30329-7
Solenoid Model	16, 19, 37, 39, 58, 58LT	
Solenoid Size	II	
Port Connection	3/8", 1/2"	1/4", 3/8"



Valve Type	30309-10, 30329-10	30329-7
Solenoid Model	17, 87	
Solenoid Size	II	
Port Connection	3/8", 1/2"	1/4", 3/8"

NW	K	A	B	C	D	E	F	G	H	I	J
7	1/4", 3/8"	40	50	151	16	32	47	18	32	36	6.5
10	3/8", 1/2"	50	60	158	16.5	34.5	52.5	16.5	33.5	38	6.5



ROTEX AUTOMATION LIMITED

987 / 11,
GIDC Makarpura,
Vadodara - 390 010,
Gujarat, India
Ph: +91 265 6174 100

OVERSEAS OFFICE

ROTEX AUTOMATION EUROPE

Bierstraat 117,
3011 XA Rotterdam,
The Netherlands
Ph. : +31 88 5053 505
europe@rotexautomation.com

ROTEX AUTOMATION FZ LLC

CT01 - 09, C ustom Building 01,
AL Hamra Industrial Zone - FZ,
RAK, United Arab Emirates
Ph. : +971 50 9627 404
mena@rotexautomation.com



@rotexautomation



www.rotexautomation.com



info@rotexautomation.com